



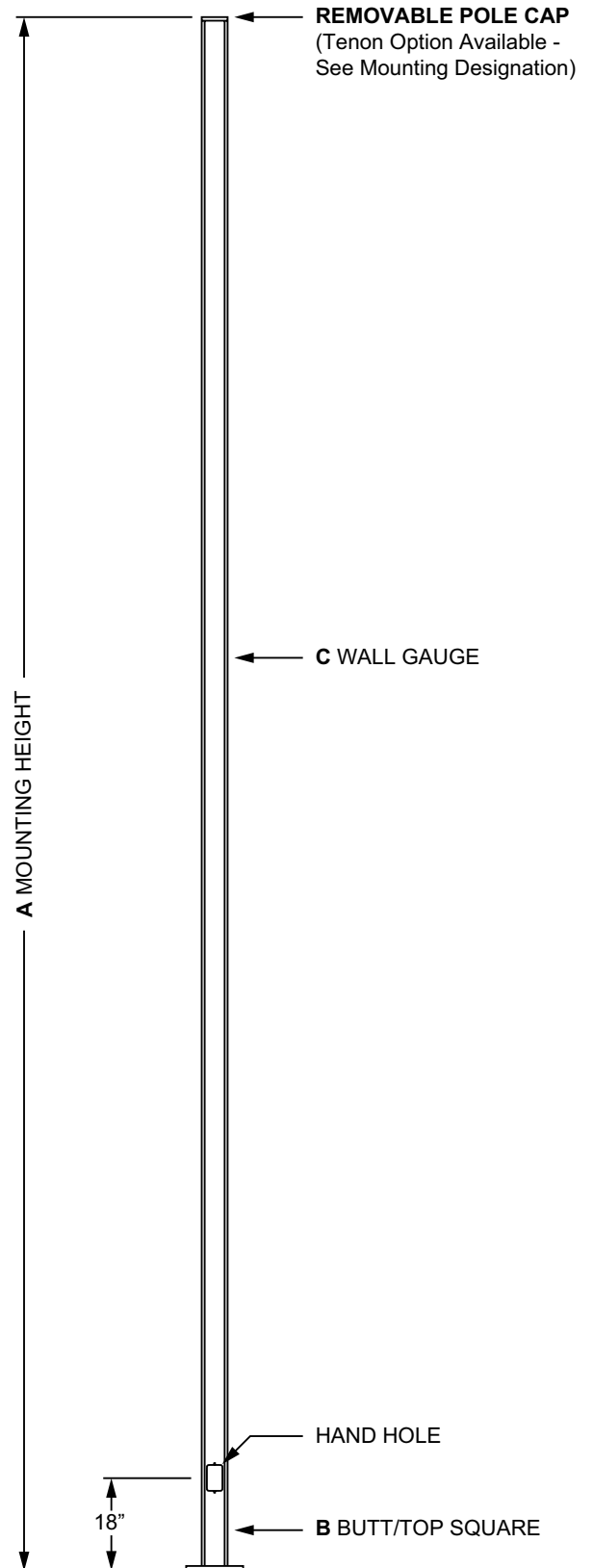
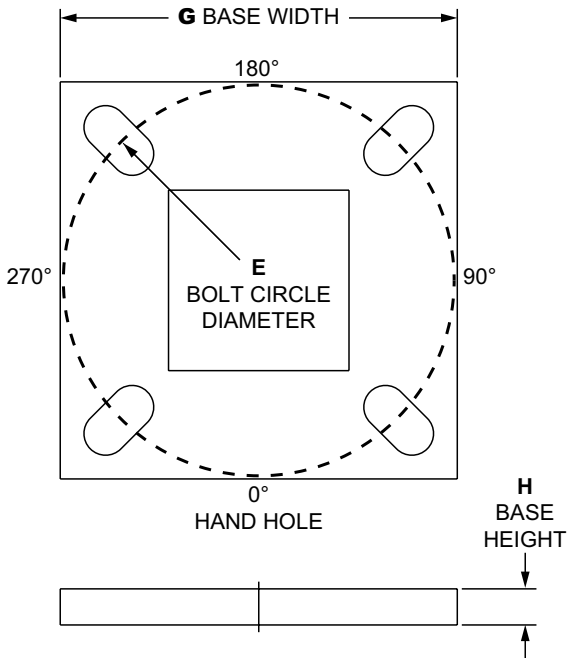
ESSSAB

Square Straight Steel Anchor Base



PRODUCT DETAIL

- Pole:** Pole shaft shall be weldable-grade, cold-rolled, commercial quality carbon steel tubing conforming to ASTM A500 Grade B. Options include 11 gauge and 7 gauge. All Welds shall conform to AWS D1.2 using ER70S-6 electrodes.
- Base Style:** 4-Bolt Steel Plate Base Flange of fabricated hot rolled carbon steel conforming to ASTM A36 or equivalent (36 ksi minimum yield) with 2-piece Base Cover and attaching hardware.
- Handhole:** Reinforced Handhole with Cover and Stainless Steel Screw. All hand holes are located 18" above grade with standard embedment depth of pole.
- Anchorage:** Includes four (4) L-shaped Steel Anchor Bolts conforming to AASHTO M314-90 Grade 55, galvanized per ASTM A153. Kits will contain eight (8) Hex Nuts and eight (8) Flat Washers (all components Galvanized Steel). A bolt circle template will be provided
- Mounting Designation:** For Side Drill Mount applications specify luminaire type, quantity and orientation. A luminaire drilling template must be supplied at time of order.
- Finish:** Commercial grade, super durable powder coat finish for standard color options of Bronze, White, Black, Silver colors and custom color.



The information in this document is subject to change without notice

Ordering Information Example: ESSSAB-30-5-I-BZ

Catalog Number:

Series	Mounting Height	Butt/Top Square Size	Wall Gauge	Pole Color
ESSSAB - Square Straight Steel Anchor Base	10 - 10'	4 - 4"	I - 11 Gauge (0.118")	BL - Black
	15 - 15'	5 - 5"	J - 7 Gauge (0.188")	BZ - Bronze
	20 - 20'	6 - 6"		SV - Silver
	25 - 25'			WH - White
	30 - 30'			
	35 - 35'			
	XX - Custom Height			

Dimensions

Catalog Number	A Mounting Height (ft)	B Butt/Top Sq Size (in)	C Wall Gauge (ga)	E Bolt Circle (in)	G Base Width (in)	H Base Thickness (in)	Anchor Bolt (in)
ESSSAB-10-4-I-XX	10	4	11	8	10.5	0.75	.75 x 17 x 3
ESSSAB-15-4-I-XX	15	4	11	8	10.5	0.75	.75 x 17 x 3
ESSSAB-20-4-I-XX	20	4	11	8	10.5	0.75	.75 x 17 x 3
ESSSAB-20-5-I-XX	20	5	11	11	11	1	1 x 36 x 4
ESSSAB-20-5-J-XX	20	5	7	11	11	1	1 x 36 x 4
ESSSAB-25-4-I-XX	25	4	11	8	10.5	0.75	.75 x 17 x 3
ESSSAB-25-5-I-XX	25	5	11	11	11	1	1 x 36 x 4
ESSSAB-25-5-J-XX	25	5	7	11	11	1	1 x 36 x 4
ESSSAB-30-5-I-XX	30	5	11	11	11	1	1 x 36 x 4
ESSSAB-30-5-J-XX	30	5	7	11	11	1	1 x 36 x 4
ESSSAB-30-6-J-XX	30	6	7	12	12.5	1	1 x 36 x 4
ESSSAB-35-5-J-XX	35	5	7	11	11	1	1 x 36 x 4
ESSSAB-35-6-J-XX	35	6	7	12	12.5	1	1 x 36 x 4

The information in this document is subject to change without notice

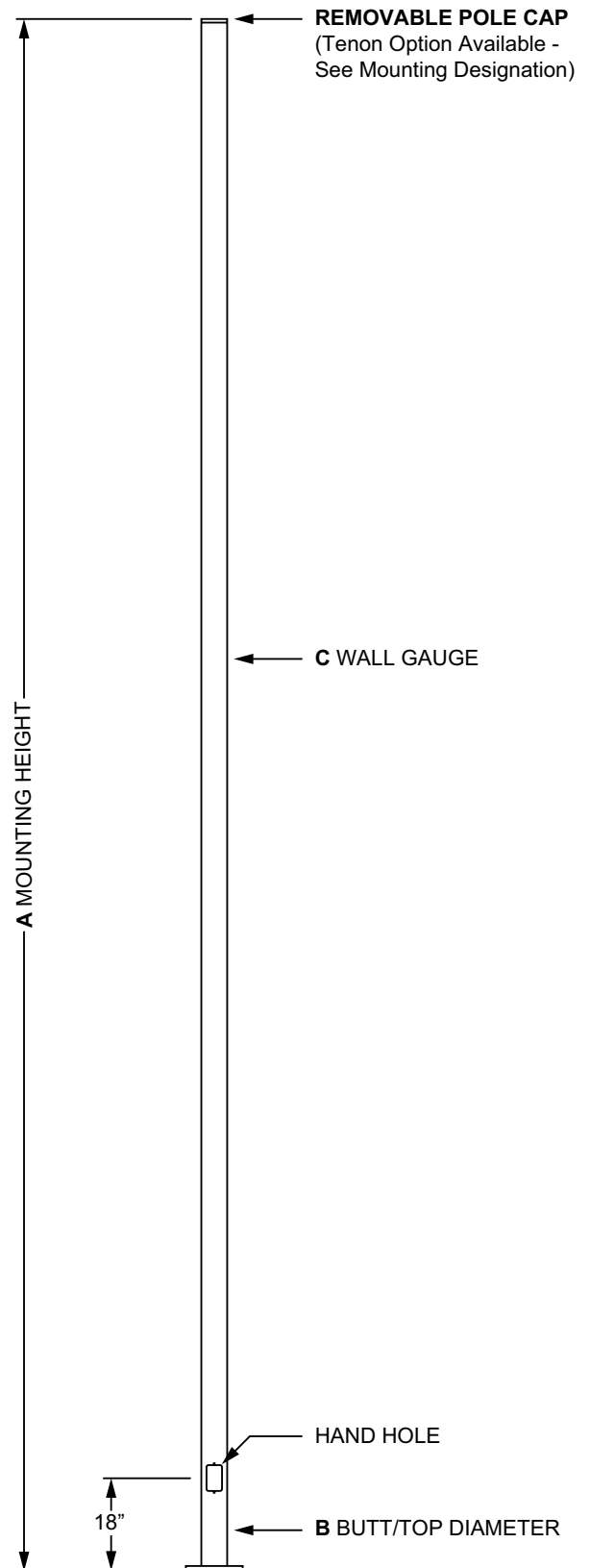
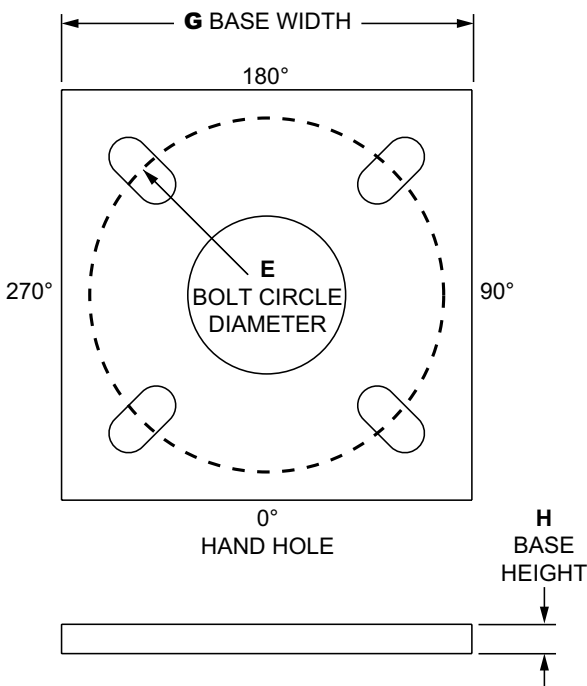
ERSSAB

Round Straight Steel Anchor Base



PRODUCT DETAIL

- Pole:** Pole shaft shall be weldable-grade, cold-rolled, commercial quality carbon steel tubing conforming to ASTM A500 Grade B. Options include 11 gauge and 7 gauge. All Welds shall conform to AWS D1.2 using ER70S-6 electrodes.
- Base Style:** 4-Bolt Steel Plate Base Flange of fabricated hot rolled carbon steel conforming to ASTM A36 or equivalent (36 ksi minimum yield) with 2-piece Base Cover and attaching hardware.
- Handhole:** Reinforced Handhole with Cover and Stainless Steel Screw. All hand holes are located 18" above grade with standard embedment depth of pole.
- Anchorage:** Includes four (4) L-shaped Steel Anchor Bolts conforming to AASHTO M314-90 Grade 55, galvanized per ASTM A153. Kits will contain eight (8) Hex Nuts and eight (8) Flat Washers (all components Galvanized Steel). A bolt circle template will be provided.
- Mounting Designation:** For Side Drill Mount applications specify luminaire type, quantity and orientation. A luminaire drilling template must be supplied at time of order.
- Finish:** Commercial grade, super durable powder coat finish for standard color options of Bronze, White, Black, Silver colors and custom color.



The information in this document is subject to change without notice

Ordering Information Example: ERSSAB-30-5-I-BZ

Catalog Number:

Series	Mounting Height	Butt/Top Diameter	Wall Gauge	Pole Color
ERSSAB - Round Straight Steel Anchor Base	10 - 10'	4 - 4"	I - 11 Gauge (0.118")	BL - Black
	15 - 15'	5 - 5"	J - 7 Gauge (0.188")	BZ - Bronze
	20 - 20'			SV - Silver
	25 - 25'			WH - White
	30 - 30'			
	XX - Custom Height			

Dimensions

Catalog Number	A Mounting Height (ft)	B Butt/Top Diameter (in)	C Wall Gauge (ga)	E Bolt Circle (in)	G Base Width (in)	H Base Thickness (in)	Anchor Bolt (in)
ERSSAB-10-4-I-XX	10	4	11	9	10.5	0.75	.75 x 17 x 3
ERSSAB-15-4-I-XX	15	4	11	9	10.5	0.75	.75 x 17 x 3
ERSSAB-20-4-I-XX	20	4	11	9	10.5	0.75	.75 x 17 x 3
ERSSAB-20-5-I-XX	20	5	11	11	10.5	0.75	1 x 36 x 4
ERSSAB-25-5-I-XX	25	5	11	11	10.5	0.75	1 x 36 x 4
ERSSAB-25-5-J-XX	25	5	7	11	11	1	1 x 36 x 4
ERSSAB-30-5-I-XX	30	5	11	11	10.5	0.75	1 x 36 x 4
ERSSAB-30-5-J-XX	30	5	7	11	11	1	1 x 36 x 4

The information in this document is subject to change without notice

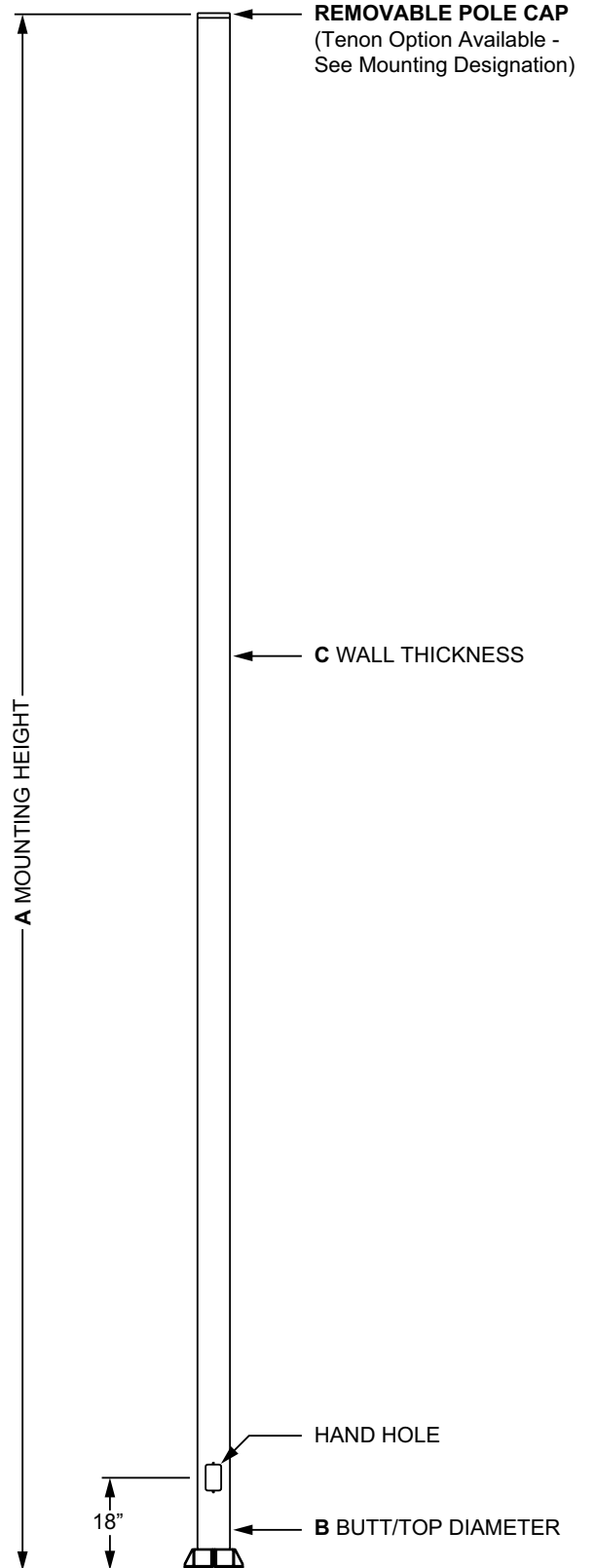
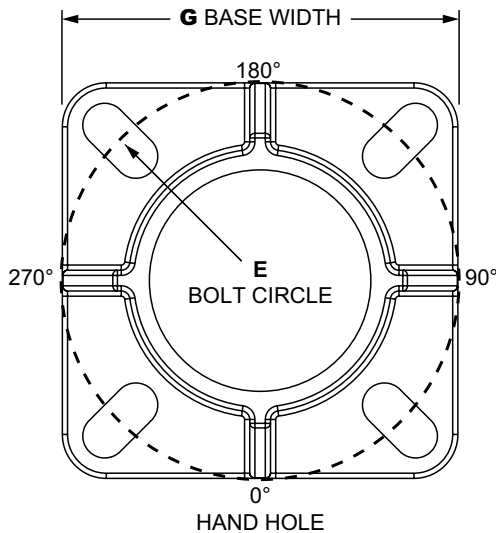
ERSAAB

Round Straight Aluminum Anchor Base



PRODUCT DETAIL

- Pole:** The pole shaft is constructed of seamless extruded tube of 6061 T6 Aluminium Alloy.
- Base Style:** Cast Aluminium base flange of alloy 356-T6 with 2-piece Base Cover and attaching hardware.
- Handhole:** Reinforced Handhole with Cover and Stainless Steel Screw. All hand holes are located 18" above grade with standard embedment depth of pole.
- Anchorage:** Includes four (4) L-shaped Steel Anchor Bolts conforming to AASHTO M314-90 Grade 55, galvanized per ASTM A153. Kits will contain eight (8) Hex Nuts and eight (8) Flat Washers (all components Galvanized Steel). A bolt circle template will be provided.
- Mounting Designation:** For Side Drill Mount applications specify luminaire type, quantity and orientation. A luminaire drilling template must be supplied at time of order.
- Finish:** Commercial grade, super durable powder coat finish for standard color options of Bronze, White, Black, Silver colors and custom color.



The information in this document is subject to change without notice

Ordering Information Example: ERSAAB-30-5-J-BZ

Catalog Number:

Series	Mounting Height	Butt/Top Diameter	Wall Thickness	Pole Color
ERSAAB - Round Straight Aluminum Anchor Base	10 - 10'	4 - 4"	J - 0.188"	BL - Black
	15 - 15'	5 - 5"	K - 0.2"	BZ - Bronze
	20 - 20'	6 - 6"	L - 0.22"	SV - Silver
	25 - 25'			WH - White
	30 - 30'			
	35 - 35'			
	XX - Custom Height			

Dimensions

Catalog Number	A Mounting Height (ft)	B Butt/Top Diameter (in)	C Wall Thickness (in)	E Bolt Circle (in)	G Base Width (in)	Anchor Bolt (in)
ERSAAB-10-4-J-XX	10	4	0.188	9	9	.75 x 17 x 3
ERSAAB-15-4-J-XX	15	4	0.188	9	9	.75 x 17 x 3
ERSAAB-20-4-J-XX	20	4	0.188	9	9	.75 x 17 x 3
ERSAAB-20-5-K-XX	20	5	0.2	9	9	1 x 36 x 4
ERSAAB-25-4-J-XX	25	4	0.188	9	9	.75 x 17 x 3
ERSAAB-25-5-K-XX	25	5	0.2	9	9	1 x 36 x 4
ERSAAB-25-6-L-XX	25	6	0.22	10.5	10	1 x 36 x 4
ERSAAB-30-5-K-XX	30	5	0.2	9	9	1 x 36 x 4
ERSAAB-30-6-L-XX	30	6	0.22	10.5	10	1 x 36 x 4
ERSAAB-35-5-K-XX	35	5	0.2	10.5	9	1 x 36 x 4
ERSAAB-30-6-L-XX	35	6	0.22	10.5	10	1 x 36 x 4

The information in this document is subject to change without notice

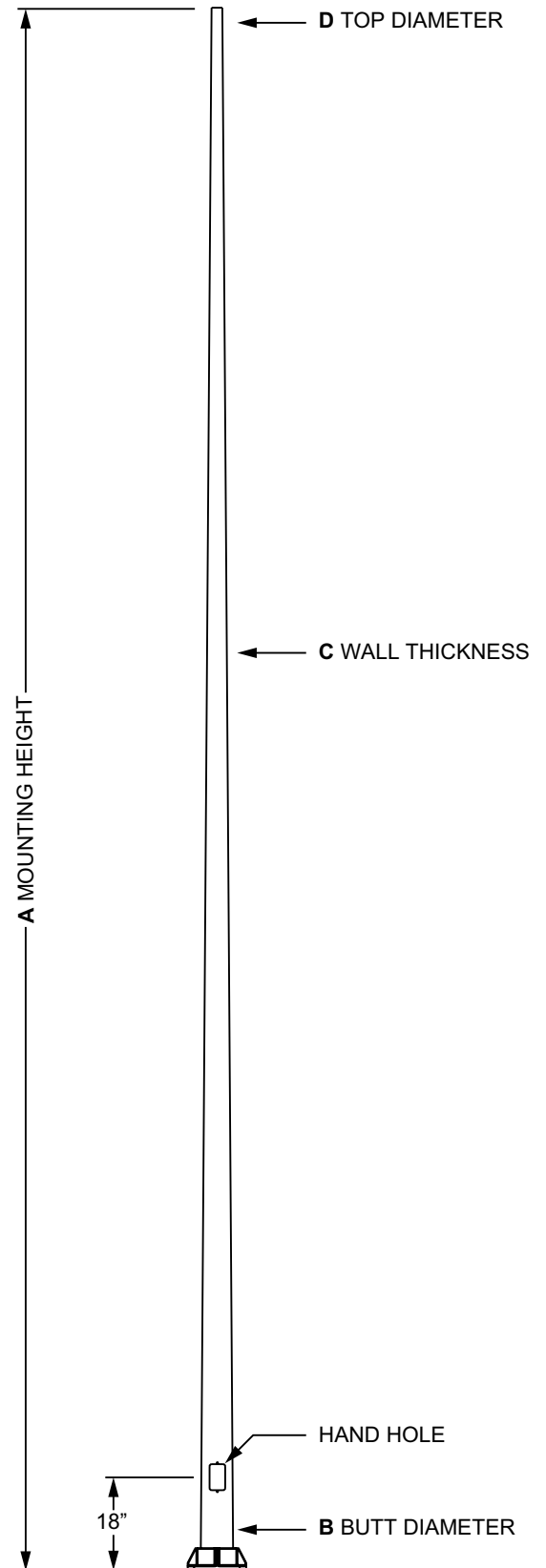
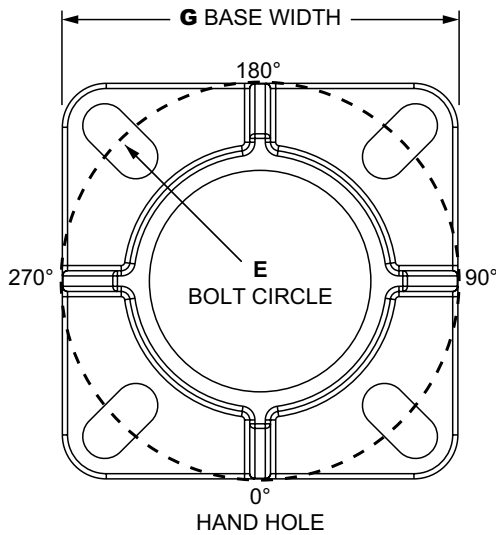
ERTAAB

Round Taper Aluminum Anchor Base



PRODUCT DETAIL

- Pole:** The pole shaft is constructed of seamless extruded tube of 6063 T6 Aluminium Alloy per the requirements of ASTM B221. The shaft is cone-tapered.
- Base Style:** Cast Aluminium base flange of alloy 356-T6 with 2-piece Base Cover and attaching hardware.
- Handhole:** Reinforced Handhole with Cover and Stainless Steel Screw. All hand holes are located 18" above grade with standard embedment depth of pole.
- Anchorage:** Includes four (4) L-shaped Steel Anchor Bolts conforming to AASHTO M314-90 Grade 55, galvanized per ASTM A153. Kits will contain eight (8) Hex Nuts and eight (8) Flat Washers (all components Galvanized Steel). A bolt circle template will be provided.
- Mounting Designation:** For Side Drill Mount applications specify luminaire type, quantity and orientation. A luminaire drilling template must be supplied at time of order.
- Finish:** Commercial grade, super durable powder coat finish for standard color options of Bronze, White, Black, Silver colors and custom color.



The information in this document is subject to change without notice

Ordering Information Example: ERTAAB-30-5-J-BZ

Catalog Number:

Series	Mounting Height	Butt Diameter	Wall Thickness	Top Diameter	Pole Color
ERTAAB - Round Taper Aluminum Anchor Base	10 - 10'	4 - 4"	J - 0.188"	3 - 3"	BL - Black
	15 - 15'	5 - 5"	K - 0.2"	4 - 4"	BZ - Bronze
	20 - 20'	6 - 6"	L - 0.22"		SV - Silver
	25 - 25'				WH - White
	30 - 30'				
	35 - 35'				
	XX - Custom Height				

Dimensions

Catalog Number	A Mounting Height (ft)	B Butt Diameter (in)	C Wall Thickness (in)	D Top Diameter (in)	E Bolt Circle (in)	G Base Width (in)	Anchor Bolt (in)
ERTAAB-10-4-J-3-XX	10	4"	0.188"	3"	9	9	.75 x 17 x 3
ERTAAB-15-4-J-3-XX	15	4"	0.188"	3"	9	9	.75 x 17 x 3
ERTAAB-20-4-J-3-XX	20	4"	0.188"	3"	9	9	.75 x 17 x 3
ERTAAB-20-5-K-3-XX	20	5"	0.2"	3"	9	9	1 x 36 x 4
ERTAAB-20-5-K-4-XX	20	5"	0.2"	4"	9	9	1 x 36 x 4
ERTAAB-25-4-J-3-XX	25	4"	0.188"	3"	9	9	.75 x 17 x 3
ERTAAB-25-5-K-3-XX	25	5"	0.2"	3"	9	9	1 x 36 x 4
ERTAAB-25-5-K-4-XX	25	5"	0.2"	4"	9	9	1 x 36 x 4
ERTAAB-25-6-L-3-XX	25	6"	0.22"	3"	10.5	10	1 x 36 x 4
ERTAAB-25-6-L-4-XX	25	6"	0.22"	4"	10.5	10	1 x 36 x 4
ERTAAB-30-5-K-3-XX	30	5"	0.2"	3"	9	9	1 x 36 x 4
ERTAAB-30-5-K-4-XX	30	5"	0.2"	4"	9	9	1 x 36 x 4
ERTAAB-30-6-L-3-XX	30	6"	0.22"	3"	10.5	10	1 x 36 x 4
ERTAAB-30-6-L-4-XX	30	6"	0.22"	4"	10.5	10	1 x 36 x 4
ERTAAB-35-5-K-3-XX	35	5"	0.2"	3"	10.5	9	1 x 36 x 4
ERTAAB-35-5-K-4-XX	35	5"	0.2"	4"	10.5	9	1 x 36 x 4
ERTAAB-35-6-L-3-XX	35	6"	0.22"	3"	10.5	10	1 x 36 x 4
ERTAAB-35-6-L-4-XX	35	6"	0.22"	4"	10.5	10	1 x 36 x 4

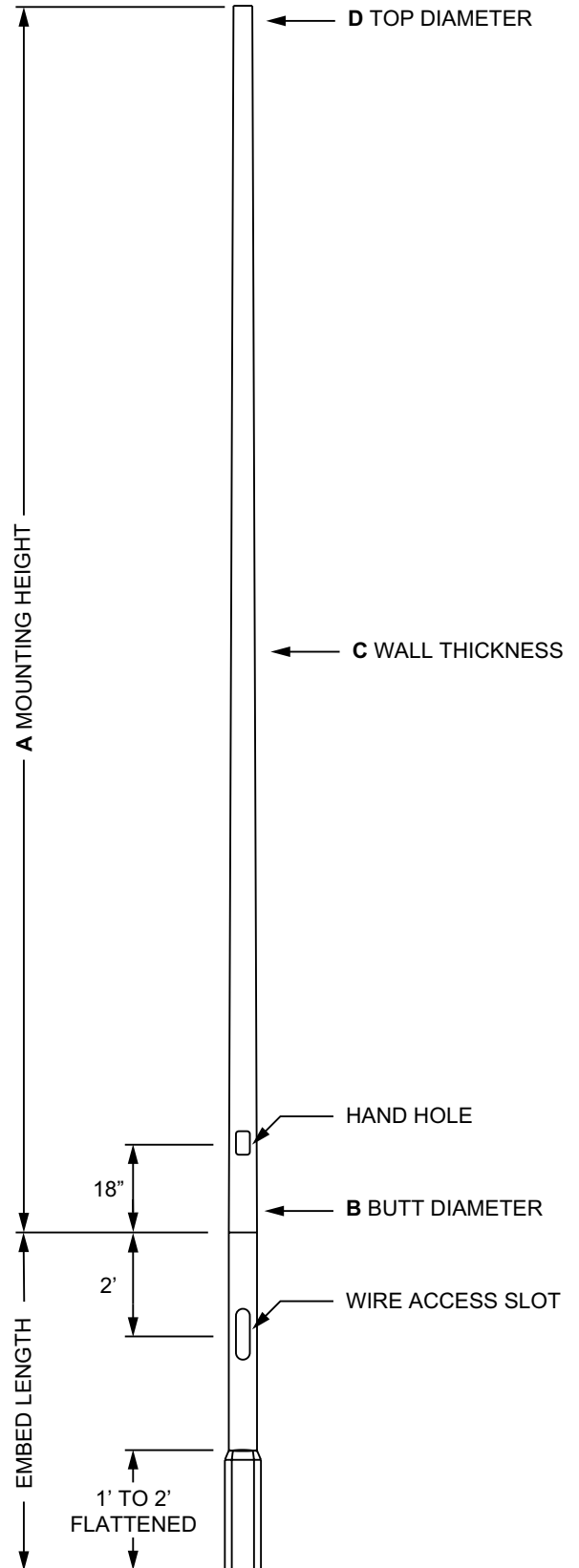
The information in this document is subject to change without notice

ERTADB

Round Taper Aluminum Direct Burial

PRODUCT DETAIL

- Pole:** The pole shaft is constructed of seamless extruded tube of 6063 T6 Aluminium Alloy per the requirements of ASTM B221. The shaft is cone-tapered.
- Handhole:** Reinforced Handhole with Cover and Stainless Steel Screw. All hand holes are located 18" above grade with standard embedment depth of pole.
- Embedment:** Wire access is provided 24" below ground line.
- Mounting Designation:** For Side Drill Mount applications specify luminaire type, quantity and orientation. A luminaire drilling template must be supplied at time of order.
- Finish:** Commercial grade, super durable powder coat finish for standard color options of Bronze, White, Black, Silver colors and custom color.



The information in this document is subject to change without notice

Ordering Information Example: ERTADB-30-5-J-BZ

Catalog Number:

Series	Mounting Height	Butt Diameter	Wall Thickness	Top Diameter	Pole Color
ERTADB - Round Taper Aluminum Direct Burial	10 - 10'	4 - 4"	J - 0.188"	3 - 3"	BL - Black
	15 - 15'	5 - 5"	K - 0.2"	4 - 4"	BZ - Bronze
	20 - 20'	6 - 6"	L - 0.22"		SV - Silver
	25 - 25'				WH - White
	30 - 30'				
	35' - 35'				
	XX - Custom Height				

Dimensions

Catalog Number	A Mounting Height (ft)	B Butt Diameter (in)	C Wall Thickness (in)	D Top Diameter (in)
ERTADB-10-4-J-3-XX	10	4"	0.188"	3"
ERTADB-15-4-J-3-XX	15	4"	0.188"	3"
ERTADB-20-4-J-3-XX	20	4"	0.188"	3"
ERTADB-20-5-K-3-XX	20	5"	0.2"	3"
ERTADB-20-5-K-4-XX	20	5"	0.2"	4"
ERTADB-25-4-J-3-XX	25	4"	0.188"	3"
ERTADB-25-5-K-3-XX	25	5"	0.2"	3"
ERTADB-25-5-K-4-XX	25	5"	0.2"	4"
ERTADB-25-6-L-3-XX	25	6"	0.22"	3"
ERTADB-25-6-L-4-XX	25	6"	0.22"	4"
ERTADB-30-5-K-3-XX	30	5"	0.2"	3"
ERTADB-30-5-K-4-XX	30	5"	0.2"	4"
ERTADB-30-6-L-3-XX	30	6"	0.22"	3"
ERTADB-30-6-L-4-XX	30	6"	0.22"	4"
ERTADB-35-5-K-3-XX	35	5"	0.2"	3"
ERTADB-35-5-K-4-XX	35	5"	0.2"	4"
ERTADB-30-6-L-3-XX	35	6"	0.22"	3"
ERTADB-30-6-L-4-XX	35	6"	0.22"	4"

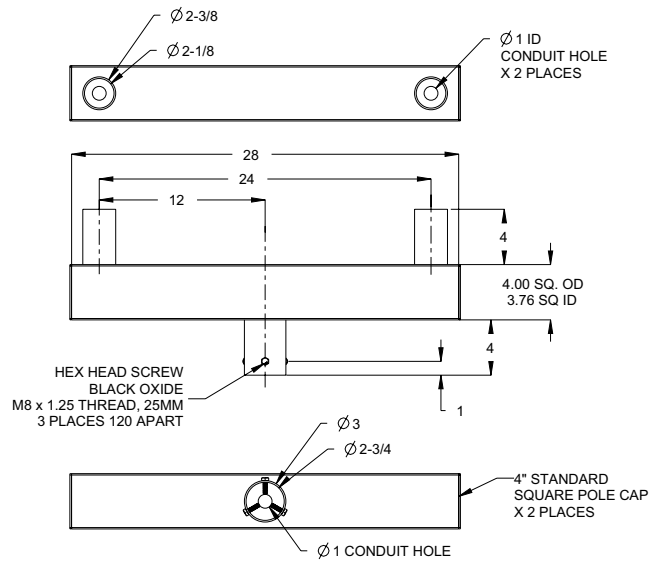
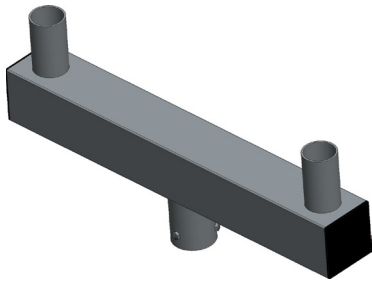
The information in this document is subject to change without notice

Accessory Guide

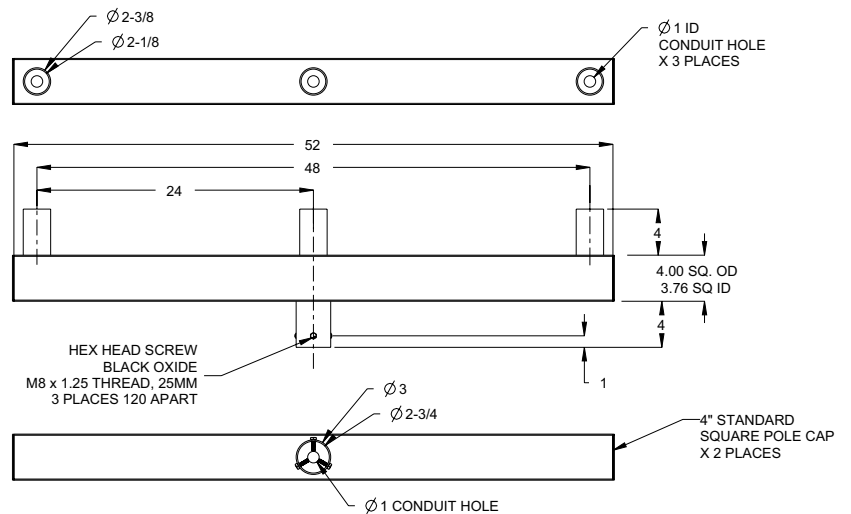
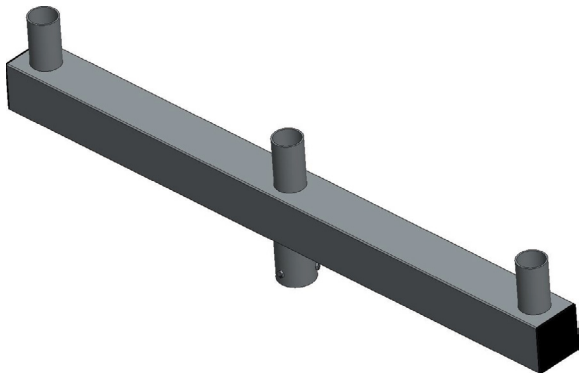
Accessory	Description	Accessory	Description
ELPB2T-XX	Low Profile Bullhorn with 2 Tenons	ETA4H90T-XX	Tenon Adapter with Four Horizontal 90 Degree Tenons
ELPB3T-XX	Low Profile Bullhorn with 3 Tenons	ETA4RP-XX	Tenon Adapter for 4" Round Poles
ELPB4T-XX	Low Profile Bullhorn with 4 Tenons	ETA5RP-XX	Tenon Adapter for 5" Round Poles
ETA1HT-XX	Tenon Adapter with Single Horizontal Tenon	ETA6RP-XX	Tenon Adapter for 6" Round Poles
ETA2H180T-XX	Tenon Adapter with Two Horizontal Tenons	ETA4SQ-XX	Tenon Adapter for 4" SQ. Poles
ETA2H90T-XX	Tenon Adapter with Two Horizontal 90 Degree Tenons	ETA5SQ-XX	Tenon Adapter for 5" SQ. Poles
ETA3H90T-XX	Tenon Adapter with Three Horizontal 90 Degree Tenons	ETA6SQ-XX	Tenon Adapter for 6" SQ. Poles
ETA3H120T-XX	Tenon Adapter with Three Horizontal 120 Degree Tenons	EBH1T-XX	Bull Horns, 2.38" Dia, 10 x 6" WITH 3/4 NPT COUPLING

XX = Finish Color; Bronze (BR), Black (BL) or Silver (SV)

ELPB2T-XX Low Profile Bullhorn with 2 Tenons

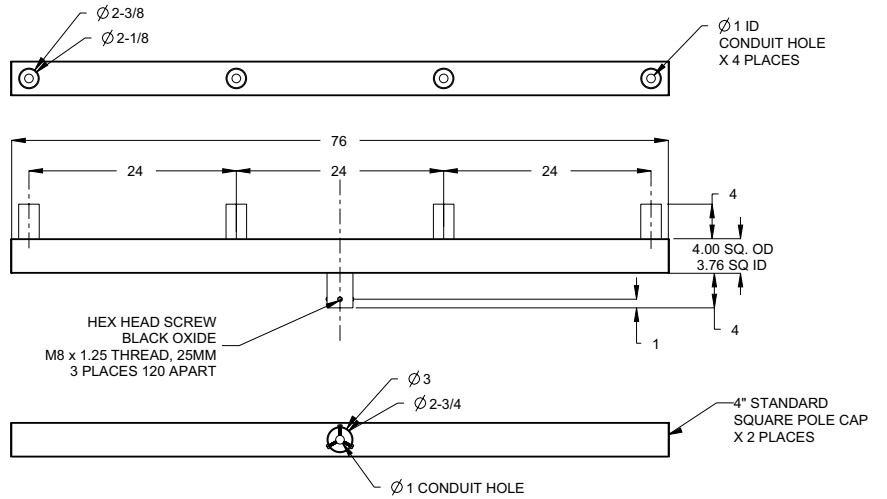
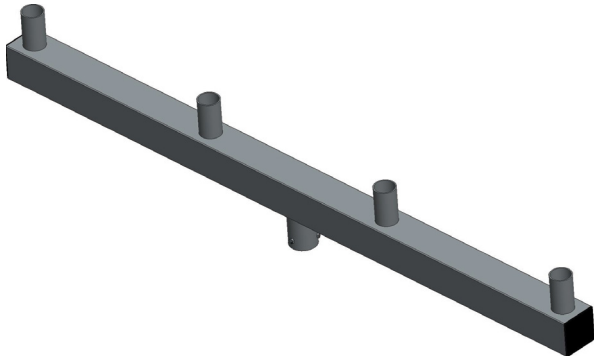


ELPB3T-XX Low Profile Bullhorn with 3 Tenons

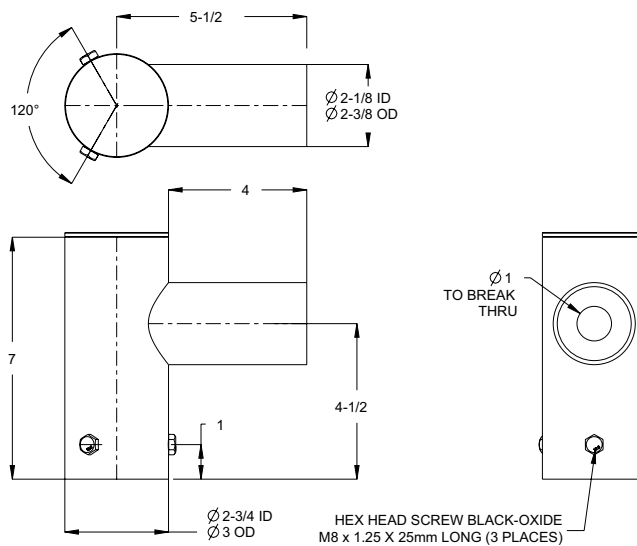
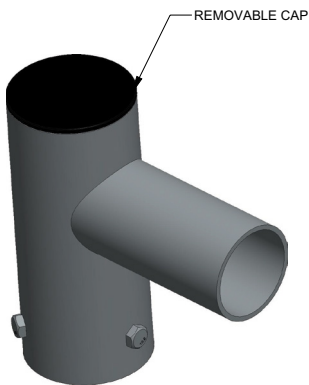


The information in this document is subject to change without notice

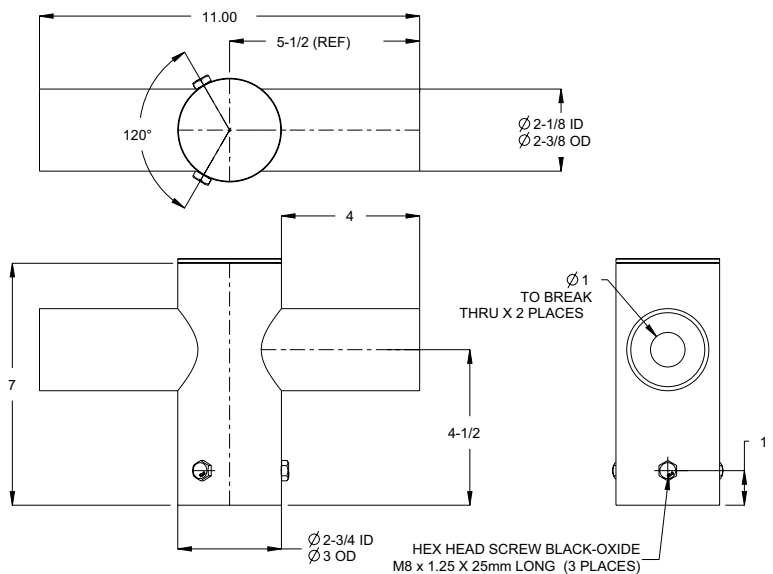
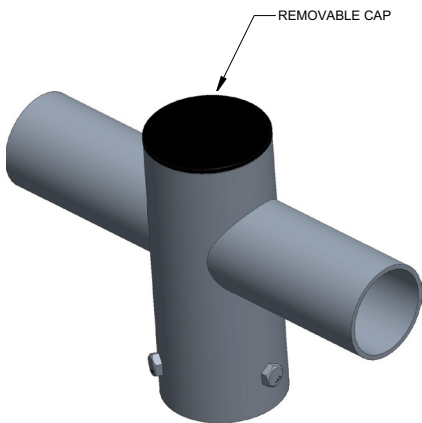
ELPB4T-XX Low Profile Bullhorn with 4 Tenons



ETA1HT-XX Tenon Adapter with Single Horizontal Tenon

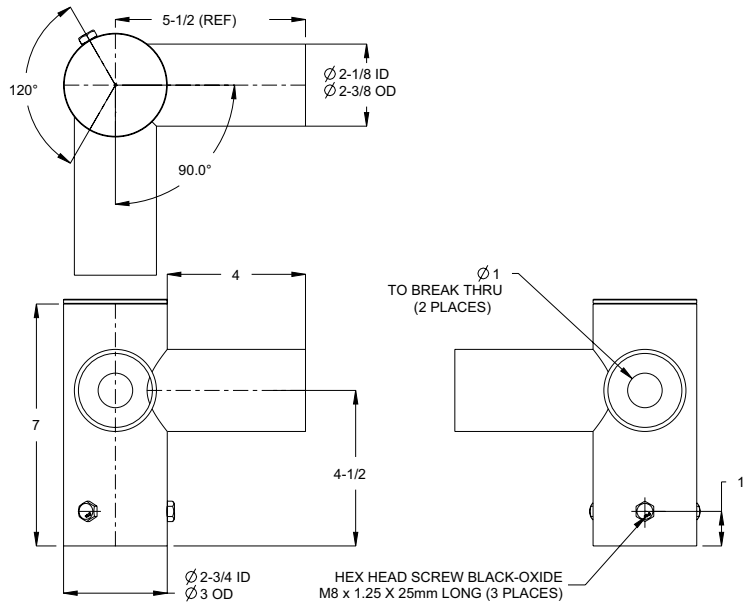
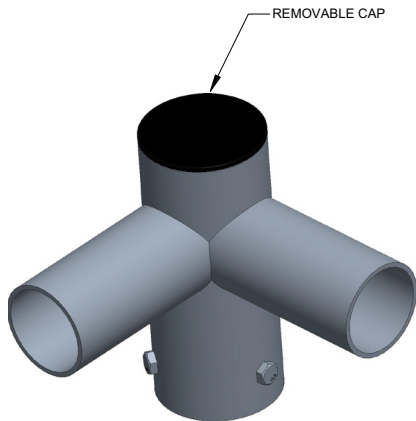


ETA2H180T-XX Tenon Adapter with Two Horizontal Tenons

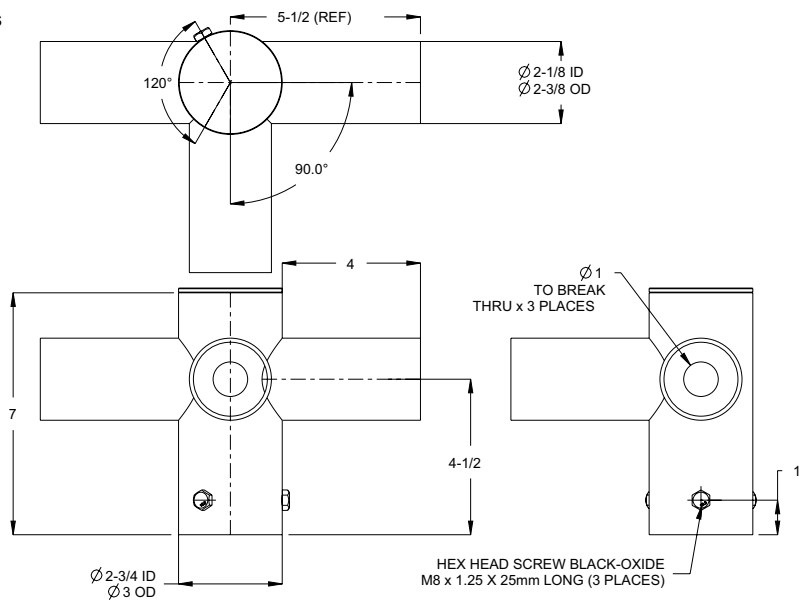
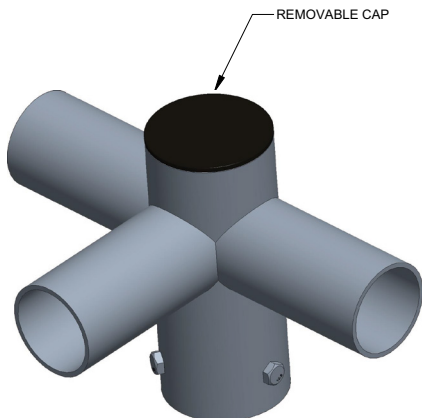


The information in this document is subject to change without notice

ETA2H90T-XX Tenon Adapter with Two Horizontal 90 Degree Tenons

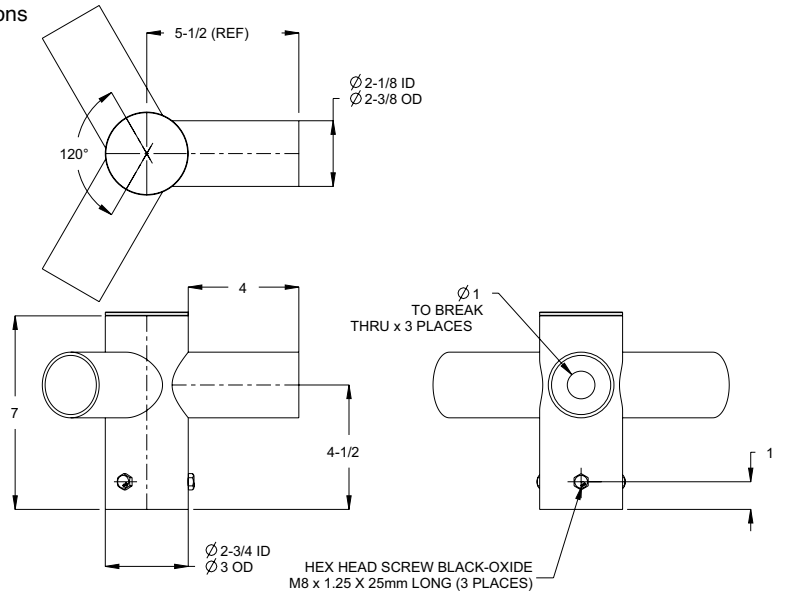
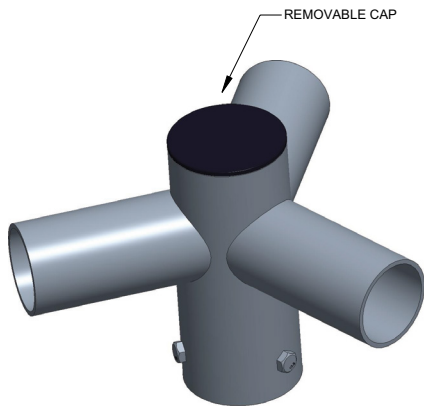


ETA3H90T-XX Tenon Adapter with Three Horizontal 90 Degree Tenons

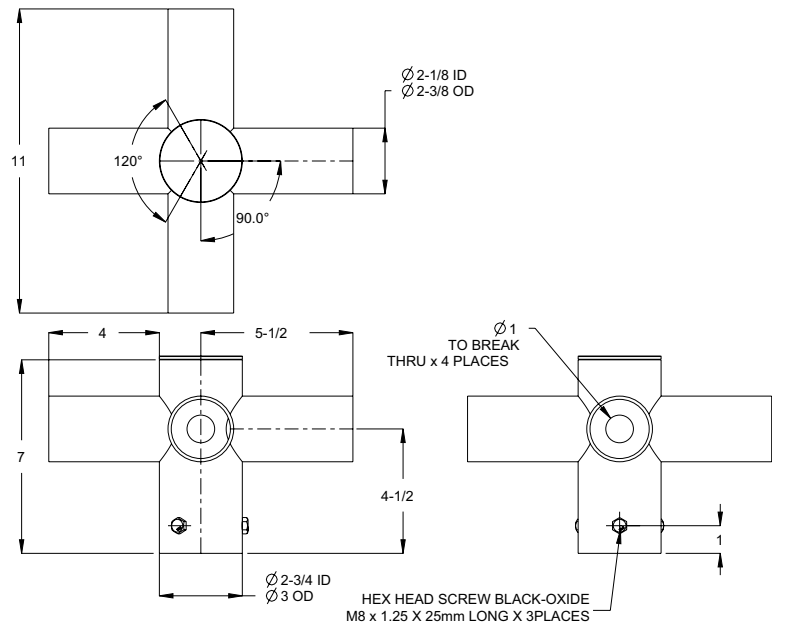
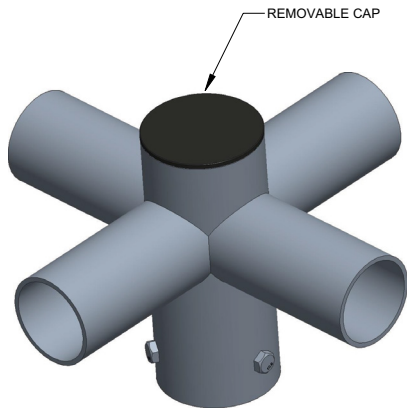


The information in this document is subject to change without notice

ETA3H120T-XX Tenon Adapter with Three Horizontal 120 Degree Tenons

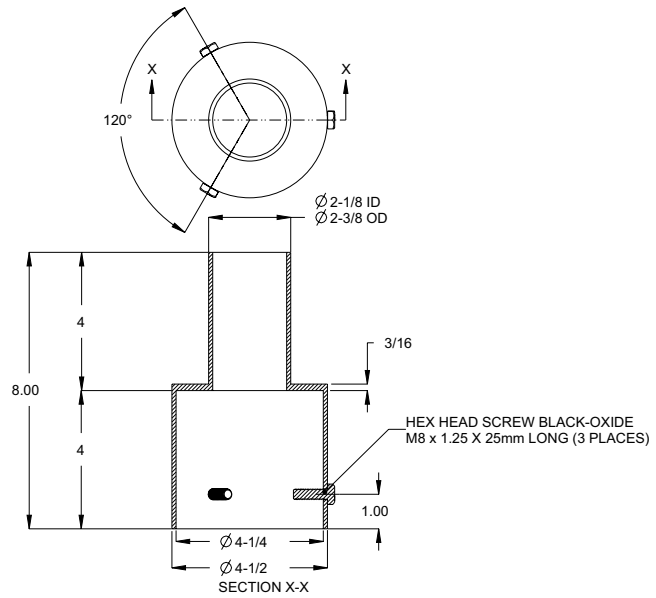
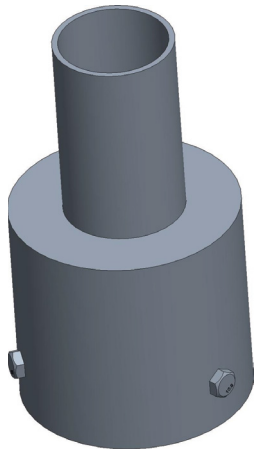


ETA4H90T-XX Tenon Adapter with Four Horizontal 90 Degree Tenons

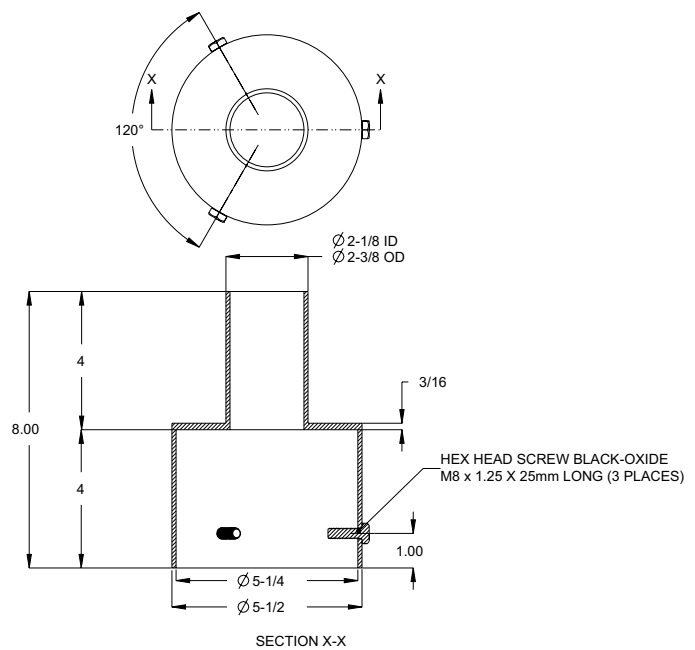
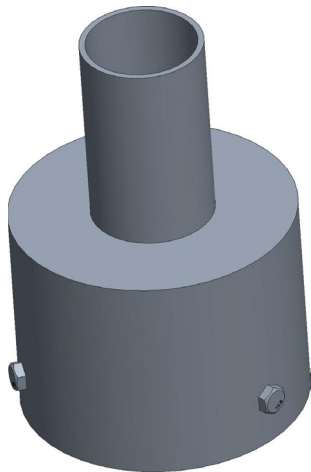


The information in this document is subject to change without notice

ETA4RP-XX Tenon Adapter for 4" Round Poles

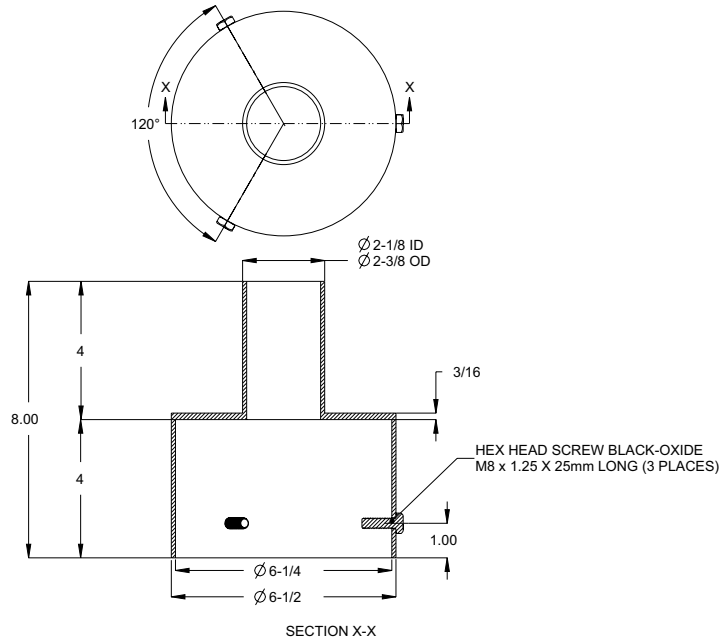
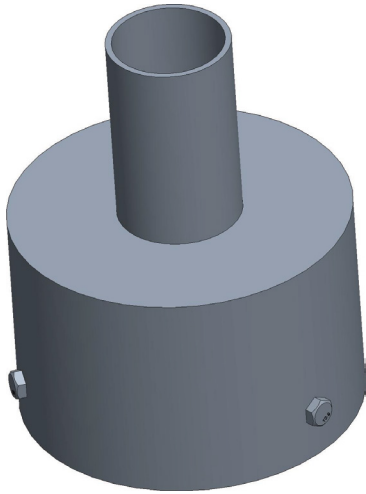


ETA5RP-XX Tenon Adapter for 5" Round Poles

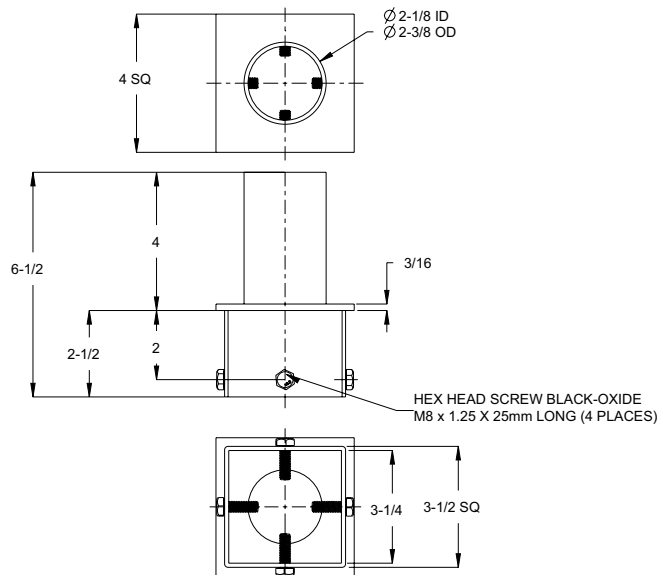
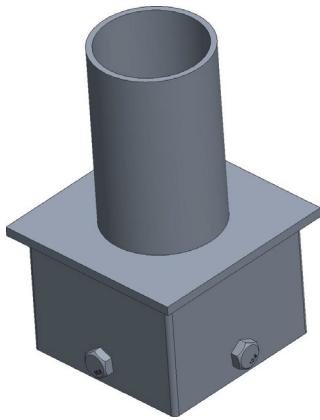


The information in this document is subject to change without notice

ETA6RP-XX Tenon Adapter for 6" Round Poles

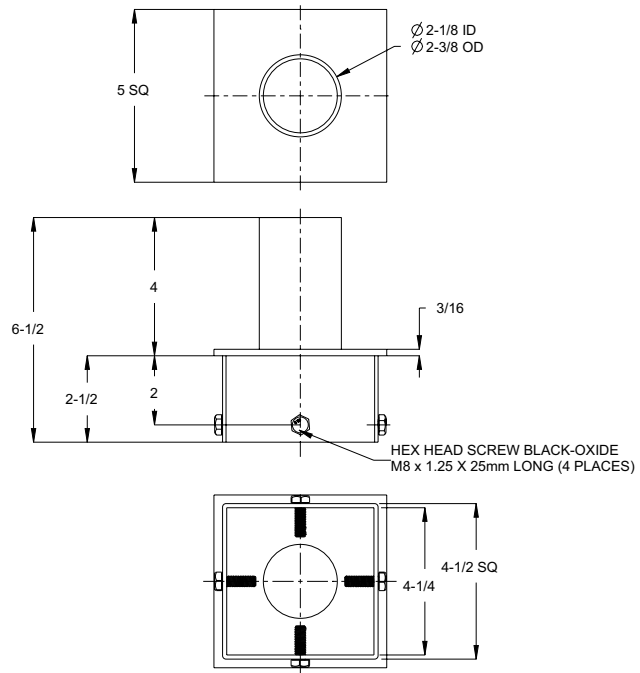
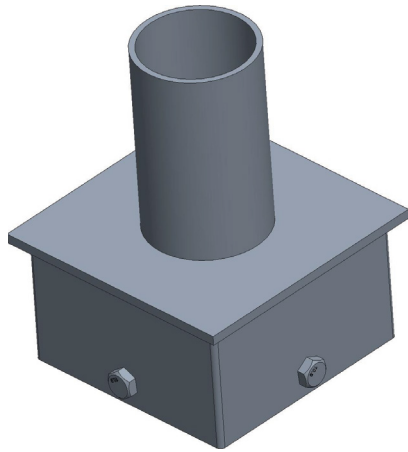


ETA4SQ-XX Tenon Adapter for 4" Square Poles

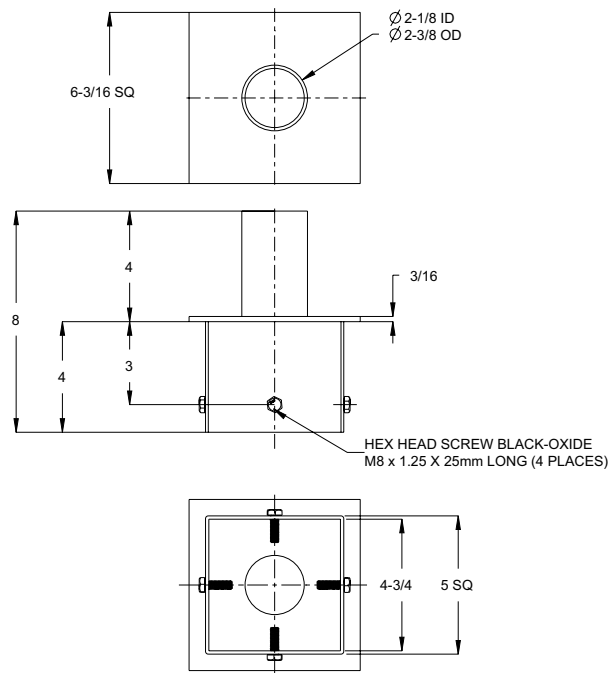
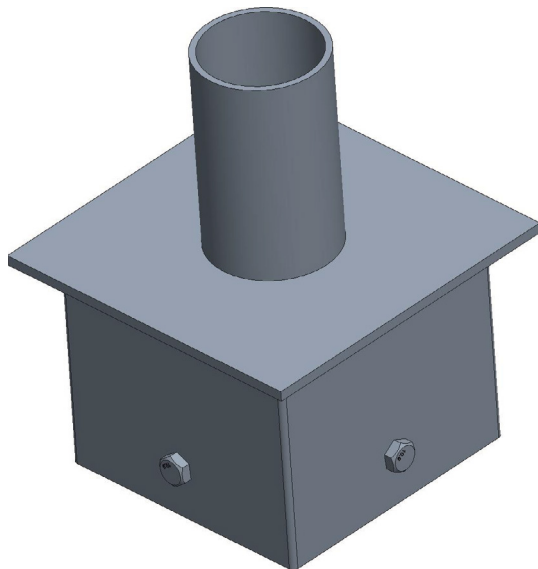


The information in this document is subject to change without notice

ETA5SQ-XX Tenon Adapter for 5" Square Poles

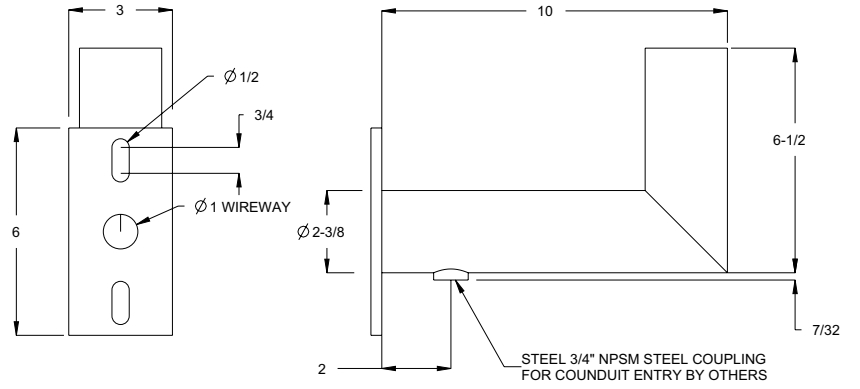
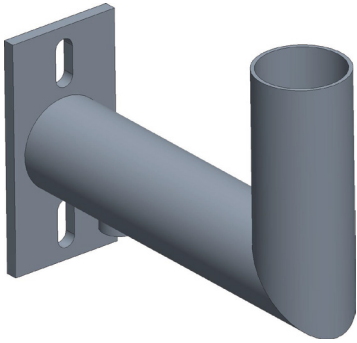


ETA6SQ-XX Tenon Adapter for 6" Square Poles



The information in this document is subject to change without notice

EBH1T-XX Bull Horns, 2.38" Dia, 10" x 6" with 3/4" NPT Coupling



The information in this document is subject to change without notice



180 E. Selandia Lane

Carson, CA 90746

T: 1 -866 -925 -1703