

Technical Specifications

Date:	Location:
Type:	Project:
Catalog #:	

Altair Series

Medium LED Area Luminaire
with Revolutionary eQuantum Optical System



The Altair family of LED area luminaires feature modern styling and a sleek architectural profile. The fixture is smaller than bulky, traditional 'shoe box' luminaires for easier handling and installation. The Altair utilizes state of the art LEDs combined with advanced eQuantum optics for precise control and energy-efficiency.

Typical applications include: Street and area lighting, parking lots/garages, site lighting, parks, industrial, retail and sports lighting.



Product Performance

- Wattage Range: 166W-305W
- Low glare due to small Mid-power LEDs driven at low drive currents
- Input Voltage: 120-277V, 277-480V
- 20kA surge protection standard
- CCT: 3000K, 4000K and 5000K, Amber available*
- CRI: 70, 80 and 90 CRI*
- UL1598 Compliant
- Driver mounted quick change component door with retaining cable
- Optional universal pole mounting kit available
- 0-10V dimmable power supply
- 5 year warranty (materials and workmanship)

* Consult factory for additional options

Key Data	
Model	ALQ-M
Lumen Range	22,000-38,000
Wattage Range	166-305
Efficacy Range	Up to 143 LPW
Fixture Life	L70@25°C > 100,000 hours
Dimensions	18.6" x 14.1" x 4.8"
Weight	19.0 lbs
EPA	0.37

Product Specifications

Construction & Materials

- Multi stage pre-treatment and high-durability TGIC powder coat finish, optional anodized pre-treatment marine finish
- PMMA (Polymethyl methacrylate) high durability, non-discoloring lens
- Twist Lock receptacle accommodates industry standard 5-pin and 7-pin sensors
- Robust low profile design

Electrical System

- Input Voltage: 120-277VAC, 277-480VAC
- Power Factor: > 0.9
- Total Harmonic Distortion: <20%
- 20kA surge protection standard
- Operating Temperature Range: -40°C to 60°C

Optical System

- Type II, III, IV, V square, FR (Auto Dealer Front Row) and TC (Tennis/Pickle Ball Court)

Testing & Certifications

- cETLus Listed
- UL1598, CSA STD.22.2 compliant
- IK07 Impact Rated
- 3G Vibration Rated
- IP66 Rated
- RoHS Compliant
- Meets ARRA requirements
- DesignLights® Consortium Qualified

Lumen Maintenance

L70@ 25°C >100,000 hours



Altair Series

Ordering Information Example: ALQ-M-4M-28-4K8-MV-SV-PA-HSS

Catalog Number:

Series	Distribution	Output Type ²	CCT Code	Voltage	Fixture Color
ALQ-M - Medium	2M - Type 2, Medium	ALQ-M	3K8 - 3000K, 80 CRI	MV - 120-277V	WH - White
	3M - Type 3, Medium	22 - 22,000 Lumens, 166W	4K7 - 4000K, 70 CRI	HV - 277-480V	SV - Silver
	4M - Type 4, Medium	24 - 24,000 Lumens, 191W	4K8 - 4000K, 80CRI		BL - Black
	5MQ - Type 5, Square	26 - 26,000 Lumens, 203W	5K7 - 5000K, 70CRI		BZ - Bronze
	FR - Auto Dealer Front Row	28 - 28,000 Lumens, 227W	AMK - Amber (Specific Lumen Output)		TC - Green
	TC - Tennis/Pickleball Courts	30 - 30,000 Lumens, 240W	Other CCTs - Consult Factory		RAL - Custom Color (Specify RAL)
	COO ¹ - Custom Optic Orientation	32 - 32,000 Lumens, 258W			
		34 - 34,000 Lumens, 287W			
		36 - 36,000 Lumens, 303W			
		38 - 38,000 Lumens, 305W			

SLO - Specific Lumen Output

Mounting Options ³	Options (Factory Installed)
PA - Square pole mounting arm kit PR - Round pole mounting arm kit (4.0" min round pole) UM - Universal arm mount for square or round pole (4.0" min round pole) SK - Adjustable slip fitter knuckle (fits 2-3/8" OD tenon) MA - Mast arm adapter (fits 2-3/8" OD horizontal tenon) WM - Wall mount kit TN - Tenon Adapter	P3 - NEMA 3-Pin Receptacle 110-277V P7 - NEMA 7-Pin Receptacle 110-480V PSC - Photocontrol Shorting Cap PMT - NEMA Photocontrol 105-285V P347 - NEMA Photocontrol 347V P480 - NEMA Photocontrol 480V HSS - House Side Shield D2D ⁵ - Dusk to Dawn Button Photocell 120-277VAC TE - Tool Less Entry SFXXX ⁴ - Single Fuse (120, 277, 347) DFXXX ⁴ - Double Fuse (208, 240, 480) SS450 - SimplySNAP On-Site Controller TL7-HVG - Twist Lock 110-480V DIM10-087-06-A - Wireless Controller w/Antenna AN - Marine Grade Pre-Anodized Finish with ASTM 316 Stainless Steel Fasteners

¹ Specify custom optic orientation details

² See page 5 for specific lumen outputs for each distribution

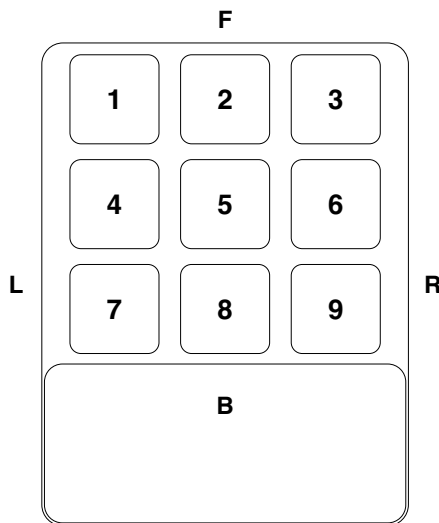
³ Consult factory for custom mounting solutions

⁴ Specify voltage (XXX = 120, 277, etc)

⁵ Not available with HV - 277-480V

See pages 6-7 for mounting dimensions and details

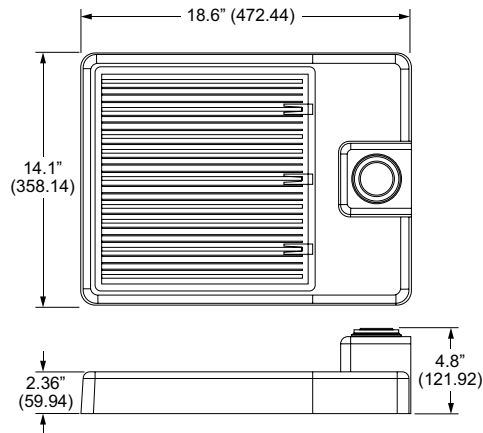
Custom Optic Orientation Details (For COO Distribution Only)



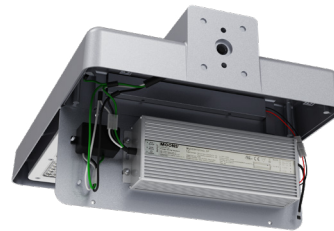
Position	Distribution (3M, 4M, 5MQ, FR, TC)	Orientation (F, B, L, R)
1		
2		
3		
4		
5		
6		
7		
8		
9		

Altair Series

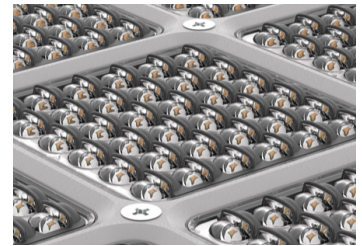
Dimensions



ALQ-M EPA: 0.37 Weight: 19.0 lb



Driver mounted quick change component door with retaining cables



Optional House Side Shield (HSS)

SimplySNAP Option Details

- Multiple Zones, Behaviors, Events, and Schedules
- SimplySNAP creates a Wi-Fi connection to smart phone, tablet, or PC
- Optional SimplySNAP Remote Access (SSRA) service available
- Sunrise and Sunset Schedules driven by latitude and longitude
- Energy saving features including Daylight Harvesting and Demand Response



SS450

- Integrated Photocell
- NEMA/ANSI C136.41 7-pin Dimming Receptacle Support
- ANSI C136.52 Power Monitoring
- Remote control and scheduling
- Flexible Dimming Controls
- Secure, over-the-air upgrades to support future enhancements
- Seamless integration into the SimplySNAP lighting control system
- 24V DC Power for Motion Sensors
- Does not include 7-pin receptacle



TL7-HVG 110-480V

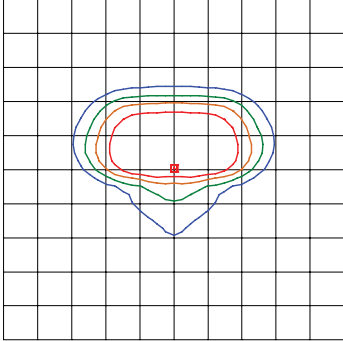
The information in this document is subject to change without notice.

Altair Series

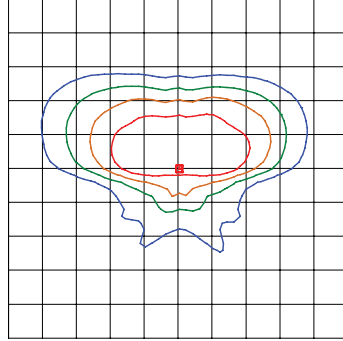
Photometry

Lumen values are from photometric tests performed in accordance with IESNA LM-79-08. Data is considered to be representative of the configuration shown. Actual performance may differ as a result of end user environment and application. [Visit the Altair webpage](#) to download a complete set of photometric charts, IES files and more.

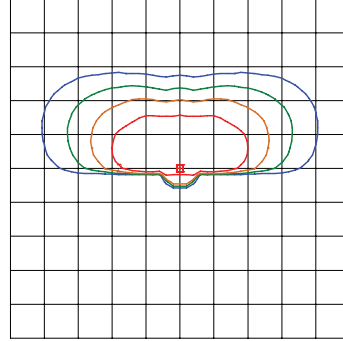
Type 2, Medium



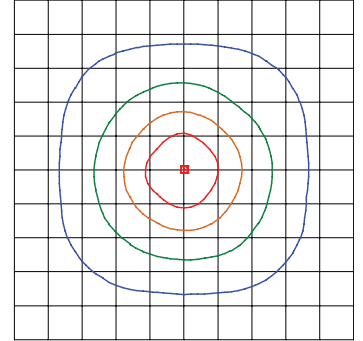
Type 3, Medium



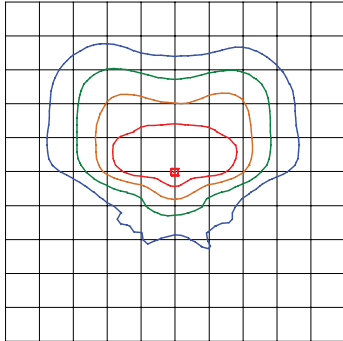
Type 3, Medium - HSS



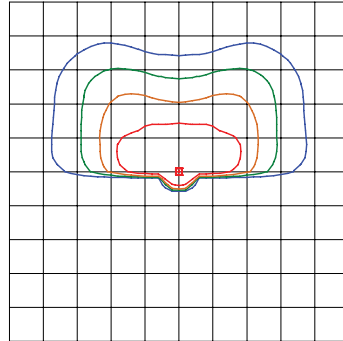
Type 5, Square



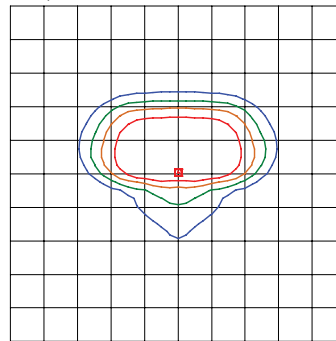
Type 4, Medium



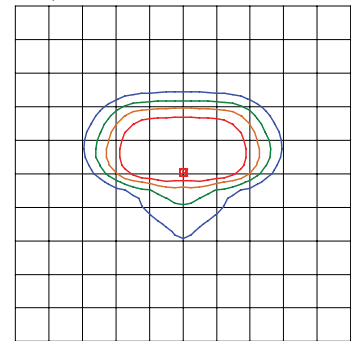
Type 4, Medium - HSS



TC, Tennis/Pickleball Courts

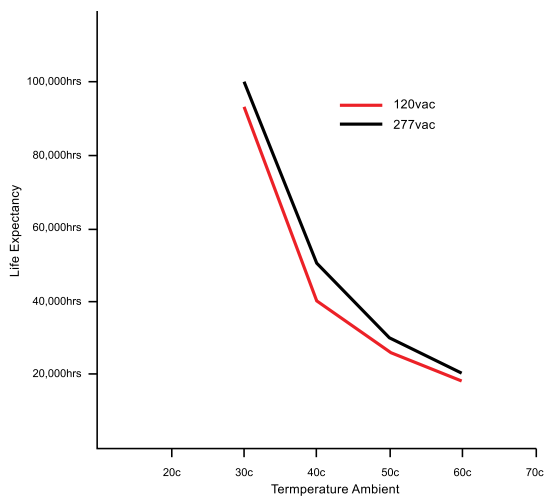


FR, Auto Dealer Front Row



Thermal De-Rating Curve

Life expectancy vs ambient temperature



The information in this document is subject to change without notice.

Altair Series

Optical Performance (All values are for 4000K CCT, 70 CRI)

MODEL/WATTS	DISTRIBUTION	STREETSIDE LUMENS	HOUSESIDE LUMENS	TOTAL LUMENS	LPW	B	U	G
ALQ-M-22 166W (4000K, 70 CRI)	2M	18590.2 (86.1%)	3012 (13.9%)	21602.2	130.1	2	0	2
	3M	19609.4 (82.3%)	4207.9 (17.7%)	23817.3	143.5	3	0	4
	3M-HSS	14928.2 (91.9%)	1314.6 (8.1%)	16242.8	97.8	1	0	3
	4M	17873.8 (81.3%)	4104.2 (18.7%)	21978	132.4	3	0	4
	4M-HSS	16179.6 (92.3%)	1352.3 (7.7%)	17531.9	105.6	1	0	4
	5MQ	11291.1 (48.8%)	11838.4 (51.2%)	23129.5	139.3	5	0	5
	FR	18590.2 (86.1%)	3012 (13.9%)	21602.2	130.1	2	0	2
TC	18590.2 (86.1%)	3012 (13.9%)	21602.2	130.1	2	0	2	

MODEL/WATTS	DISTRIBUTION	STREETSIDE LUMENS	HOUSESIDE LUMENS	TOTAL LUMENS	LPW	B	U	G
ALQ-M-26 203W (4000K, 70 CRI)	2M	22149.2 (86.1%)	3588.6 (13.9%)	25737.8	126.8	3	0	2
	3M	22378.5 (82.3%)	4802.1 (17.7%)	27180.6	133.9	3	0	4
	3M-HSS	17992.5 (91.9%)	1584.4 (8.1%)	19576.9	96.4	1	0	3
	4M	21237.6 (81.3%)	4876.6 (18.7%)	26114.2	128.6	3	0	4
	4M-HSS	19809.2 (92.3%)	1655.6 (7.7%)	21464.8	105.7	1	0	4
	5MQ	13079.4 (48.8%)	13713.3 (51.2%)	26792.7	132	5	0	5
	FR	22149.2 (86.1%)	3588.6 (13.9%)	25737.8	126.8	3	0	2
TC	22149.2 (86.1%)	3588.6 (13.9%)	25737.8	126.8	3	0	2	

MODEL/WATTS	DISTRIBUTION	STREETSIDE LUMENS	HOUSESIDE LUMENS	TOTAL LUMENS	LPW	B	U	G
ALQ-M-30 240W (4000K, 70 CRI)	2M	25336 (86.1%)	4105 (13.9%)	29441	122.7	3	0	2
	3M	25669.7 (82.3%)	5508.3 (17.7%)	31178	130	3	0	4
	3M-HSS	20192.6 (91.9%)	1778.2 (8.1%)	21970.8	91.5	1	0	4
	4M	24357.8 (81.3%)	5593.1 (18.7%)	29950.9	124.8	3	0	5
	4M-HSS	23437.7 (92.3%)	1958.9 (7.7%)	25396.6	105.8	2	0	4
	5MQ	15000.9 (48.8%)	15728 (51.2%)	30728.9	128	5	0	5
	FR	25336 (86.1%)	4105 (13.9%)	29441	122.7	3	0	2
TC	25336 (86.1%)	4105 (13.9%)	29441	122.7	3	0	2	

MODEL/WATTS	DISTRIBUTION	STREETSIDE LUMENS	HOUSESIDE LUMENS	TOTAL LUMENS	LPW	B	U	G
ALQ-M-34 287W (4000K, 70 CRI)	2M	29168.8 (86.1%)	4726 (13.9%)	33894.8	118.1	3	0	2
	3M	29554.9 (82.3%)	6342 (17.7%)	35895.9	125.1	3	0	5
	3M-HSS	23260.5 (91.9%)	2048.3 (8.1%)	25308.8	88.2	2	0	4
	4M	28043.3 (81.3%)	6439.4 (18.7%)	34482.7	120.1	3	0	5
	4M-HSS	28094.7 (92.3%)	2348.1 (7.7%)	30442.8	106.1	2	0	5
	5MQ	17271.4 (48.8%)	18108.5 (51.2%)	35379.9	123.3	5	0	5
	FR	29168.8 (86.1%)	4726 (13.9%)	33894.8	118.1	3	0	2
TC	29168.8 (86.1%)	4726 (13.9%)	33894.8	118.1	3	0	2	

MODEL/WATTS	DISTRIBUTION	STREETSIDE LUMENS	HOUSESIDE LUMENS	TOTAL LUMENS	LPW	B	U	G
ALQ-M-38 305W (4000K, 70 CRI)	2M	31455.4 (86.1%)	5096.4 (13.9%)	36551.8	119.8	3	0	2
	3M	31870.6 (82.3%)	6838.9 (17.7%)	38709.5	126.9	3	0	5
	3M-HSS	25787.2 (91.9%)	2270.8 (8.1%)	28058	92	2	0	4
	4M	30240.7 (81.3%)	6943.9 (18.7%)	37184.6	121.9	3	0	5
	4M-HSS	29836.3 (92.3%)	2493.7 (7.7%)	32330	105.9	2	0	5
	5MQ	18324.2 (48.8%)	19529.9 (51.2%)	38151.1	125.1	5	0	5
	FR	31455.4 (86.1%)	5096.4 (13.9%)	36551.8	119.8	3	0	2
TC	31455.4 (86.1%)	5096.4 (13.9%)	36551.8	119.8	3	0	2	

Lumen Multiplier (CRI)

CRI (70 CRI STD)	Lumen Multiplier
3000K, 80 CRI	0.942
4000K, 80 CRI	0.904
5000K, 80 CRI	0.850

Lumen Multiplier (Temp)

Ambient Temperature	0°C (32°F)	5°C (41°F)	10°C (50°F)	15°C (59°F)	20°C (68°F)	25°C (77°F)	30°C (86°F)	35°C (95°F)	40°C (104°F)	45°C (113°F)	50°C (122°F)
Lumen Multiplier	1.05	1.04	1.03	1.02	1.01	1.00	0.99	0.98	0.97	0.96	0.95

MODEL/WATTS	DISTRIBUTION	STREETSIDE LUMENS	HOUSESIDE LUMENS	TOTAL LUMENS	LPW	B	U	G
ALQ-M-24 191W (4000K, 70 CRI)	2M	20968.5 (86.1%)	3397.3 (13.9%)	24365.8	127.6	3	0	2
	3M	21244.4 (82.3%)	4558.7 (17.7%)	25803.2	135.1	3	0	4
	3M-HSS	15716 (91.9%)	1384 (8.1%)	17100	89.5	1	0	3
	4M	20161.6 (81.3%)	4629.5 (18.7%)	24791.1	129.8	3	0	4
	4M-HSS	18654.5 (92.3%)	1559.1 (7.7%)	20213.6	105.8	1	0	4
	5MQ	12413.6 (48.8%)	13015.3 (51.2%)	25428.9	133.1	5	0	5
	FR	20968.5 (86.1%)	3397.3 (13.9%)	24365.8	127.6	3	0	2
TC	20968.5 (86.1%)	3397.3 (13.9%)	24365.8	127.6	3	0	2	

MODEL/WATTS	DISTRIBUTION	STREETSIDE LUMENS	HOUSESIDE LUMENS	TOTAL LUMENS	LPW	B	U	G
ALQ-M-28 227W (4000K, 70 CRI)	2M	24250 (86.1%)	3929 (13.9%)	28179	124.1	3	0	2
	3M	24582.4 (82.3%)	5275 (17.7%)	29857.4	131.5	3	0	4
	3M-HSS	19247 (91.9%)	1694.9 (8.1%)	20941.9	92.3	1	0	4
	4M	23313.8 (81.3%)	5353.4 (18.7%)	28667.2	126.3	3	0	4
	4M-HSS	22244.7 (92.3%)	1859.2 (7.7%)	24103.9	106.2	2	0	4
	5MQ	14361.5 (48.8%)	15057.6 (51.2%)	29419.1	129.6	5	0	5
	FR	24250 (86.1%)	3929 (13.9%)	28179	124.1	3	0	2
TC	24250 (86.1%)	3929 (13.9%)	28179	124.1	3	0	2	

MODEL/WATTS	DISTRIBUTION	STREETSIDE LUMENS	HOUSESIDE LUMENS	TOTAL LUMENS	LPW	B	U	G
ALQ-M-32 258W (4000K, 70 CRI)	2M	26919.4 (86.1%)	4361.5 (13.9%)	31280.9	121.2	3	0	2
	3M	27274 (82.3%)	5852.6 (17.7%)	33126.6	128.4	3	0	4
	3M-HSS	20915.2 (91.9%)	1841.8 (8.1%)	22757	88.2	1	0	4
	4M	25880.1 (81.3%)	5942.6 (18.7%)	31822.7	123.3	3	0	5
	4M-HSS	25247.6 (92.3%)	2110.2 (7.7%)	27357.8	106	2	0	5
	5MQ	15938.5 (48.8%)	16711 (51.2%)	32649.5	126.5	5	0	5
	FR	26919.4 (86.1%)	4361.5 (13.9%)	31280.9	121.2	3	0	2
TC	26919.4 (86.1%)	4361.5 (13.9%)	31280.9	121.2	3	0	2	

MODEL/WATTS	DISTRIBUTION	STREETSIDE LUMENS	HOUSESIDE LUMENS	TOTAL LUMENS	LPW	B	U	G
ALQ-M-36 303W (4000K, 70 CRI)	2M	31172.4 (86.1%)	5050.6 (13.9%)	36223	119.5	3	0	2
	3M	31583.4 (82.3%)	6777.3 (17.7%)	38360.7	126.6	3	0	5
	3M-HSS	24632.7 (91.9%)	2169.2 (8.1%)	26801.9	88.5	2	0	4
	4M	29968.2 (81.3%)	6881.4 (18.7%)	36849.6	121.6	3	0	5
	4M-HSS	29611 (92.3%)	2474.8 (7.7%)	32085.8	105.9	2	0	5
	5MQ	18456.5 (48.8%)	19351.1 (51.2%)	37807.6	124.8	5	0	5
	FR	31172.4 (86.1%)	5050.6 (13.9%)	36223	119.5	3	0	2
TC	31172.4 (86.1%)	5050.6 (13.9%)	36223	119.5	3	0	2	

Electrical Load

System Watts (ALQ-M)	Current (A)					
	120V	208V	240V	277V	347V	480V
22 - 22,000 Lumens, 166W	1.38	0.80	0.69	0.60	0.48	0.35
24 - 24,000 Lumens, 191W	1.59	0.92	0.80	0.69	0.55	0.40
26 - 26,000 Lumens, 203W	1.69	0.98	0.85	0.73	0.59	0.42
28 - 28,000 Lumens, 227W	1.89	1.09	0.95	0.82	0.65	0.47
30 - 30,000 Lumens, 240W	2.00	1.15	1.00	0.87	0.69	0.50
32 - 32,000 Lumens, 258W	2.15	1.24	1.08	0.93	0.74	0.54
34 - 34,000 Lumens, 287W	2.39	1.38	1.20	1.04	0.83	0.60
36 - 36,000 Lumens, 303W	2.53	1.46	1.26	1.09	0.87	0.63
38 - 38,000 Lumens, 305W	2.54	1.47	1.27	1.10	0.88	0.64

The information in this document is subject to change without notice.

Altair Series Accessories

Accessory Guide¹ (Field installed, order as separate line item)

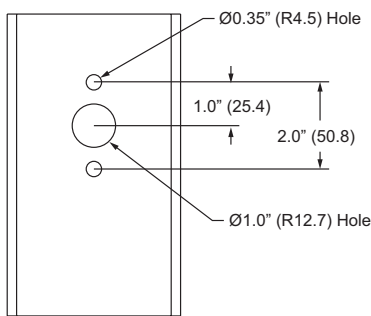
Accessory ²	Description	Accessory ²	Description
PAXX	Square pole mounting arm kit	SKXX	Adjustable slip fitter knuckle (fits 2-3/8" OD tenon)
PRXX	Round pole mounting arm kit (4.0" min round pole)	MAXX	Mast arm adapter (fits 2-3/8" OD horizontal tenon)
UMXX	Universal arm mount for square or round pole (4.0" min round pole)	WMXX	Wall mount kit
		TNXX	Tenon Adapter

¹ Consult factory for custom mounting solutions

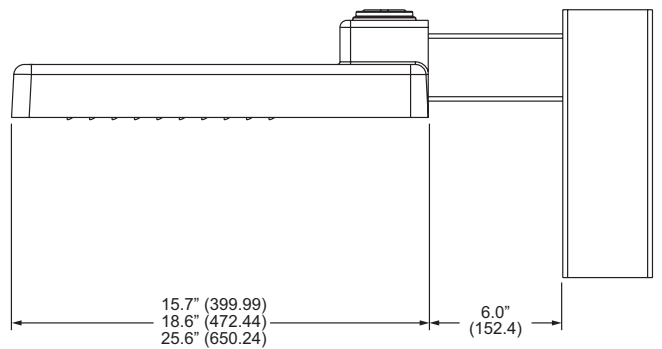
² XX = WH, SV, BL or BZ

All mounting accessories include hardware and necessary gaskets. Refer to installation guide for more details.

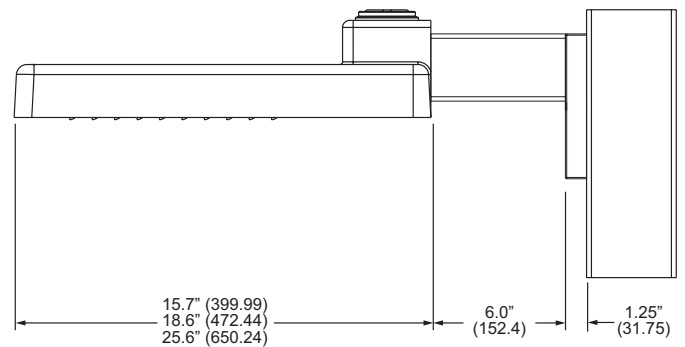
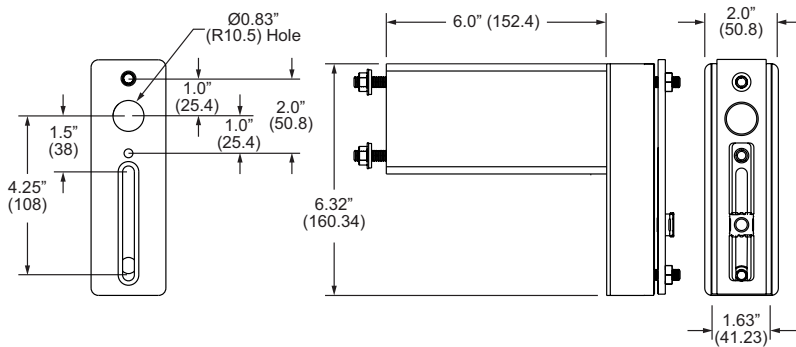
Standard Pole Arm Mount Details (PA & PR)



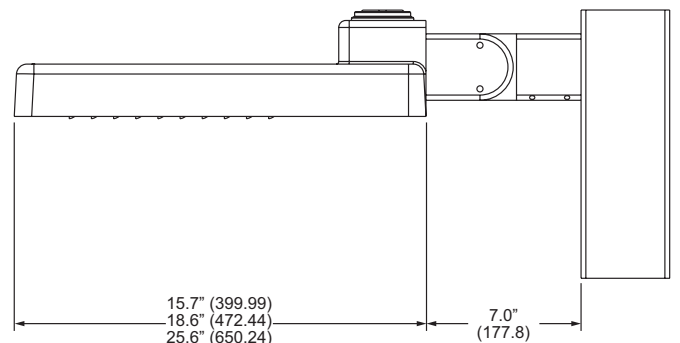
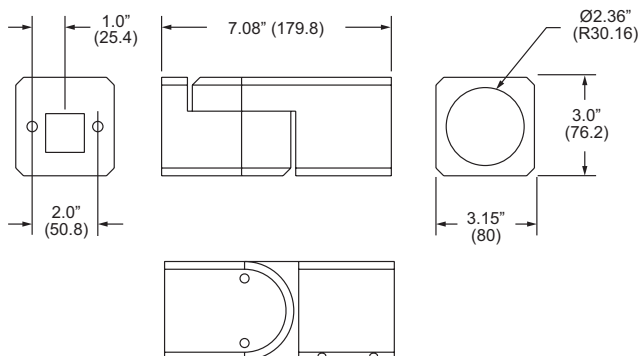
Pole Drilling Details



Universal Arm Mount Details (UM)



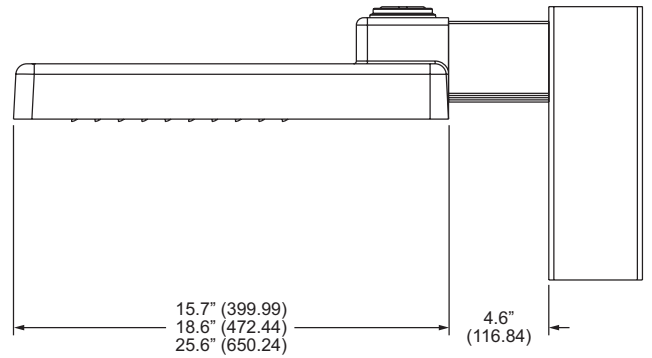
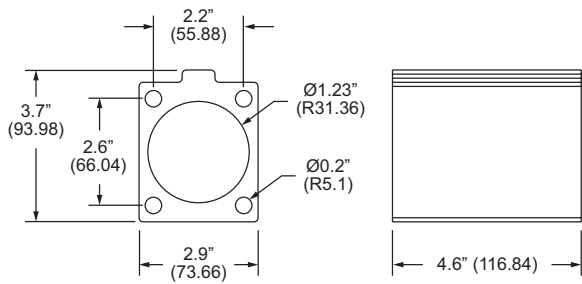
Slipfitter Knuckle Mount Details (SK)



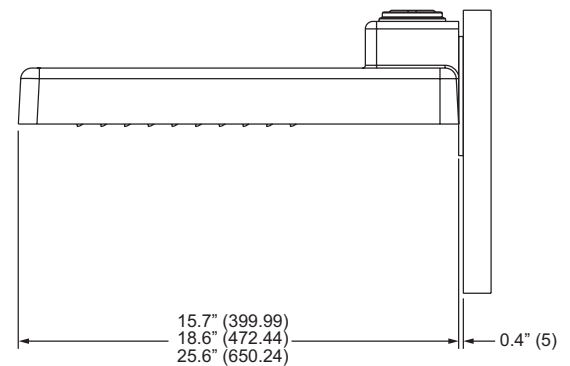
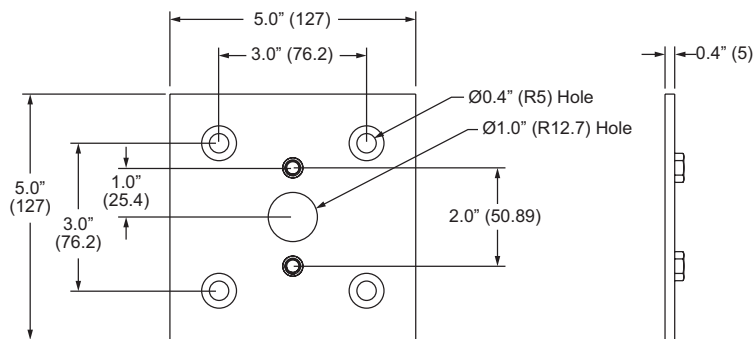
The information in this document is subject to change without notice.

Altair Series Accessories

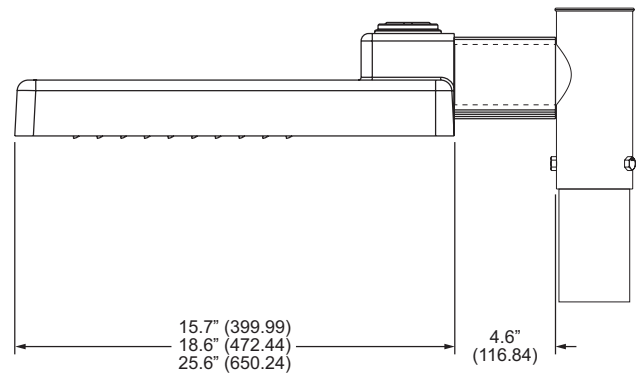
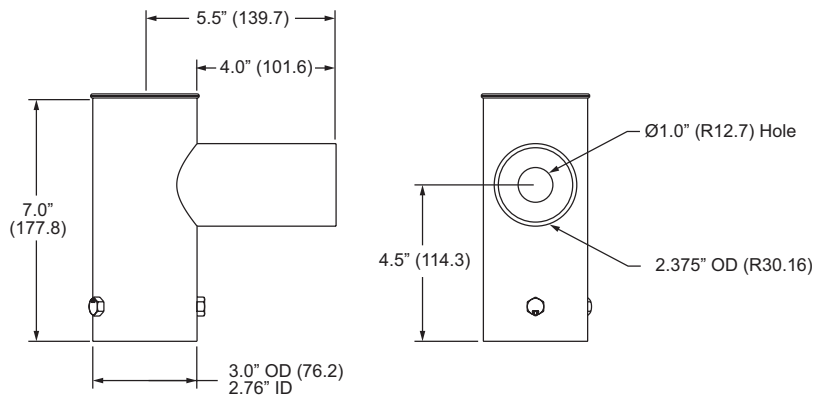
Mast Arm Mount Details (MA)



Wall Mount Details (WM) May be used in conjunction with Standard Arm Mount (PA) Sold Separately



Tenon Adapter (TN) Shown used in conjunction with Mast Arm Mount (MA) Sold Separately



The information in this document is subject to change without notice.