

Technical Specifications

Date:	Location:
Type:	Project:
Catalog #:	

Rigel Series

LED Area Luminaire
with Revolutionary eQuantum Optical System



Product Description

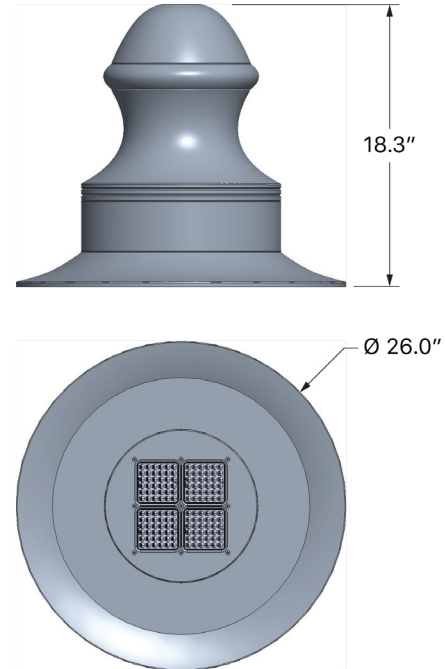
The Rigel Series LED decorative area luminaire features traditional and historic styling utilizing a state of the art LED engine combined with advanced eQuantum optics for precise control and energy-efficiency of 120 lumens per watt. The Rigel can reduce project fixture counts while eliminating glare. The Rigel family of products includes mountings for cantilever, post top, and wall mount in single and multiple configurations, enabling a consistent design aesthetic throughout the entire project.

Typical applications include: Streetscapes, retail and destination venues, parks, plazas, street and area lighting, parking lots, garages and site lighting.

Product Performance

- Wattage Range: 79W-133W (9,500-16,000 lumens)
- Lumens per Watt: 120
- Input Voltage: 120-277V, 277-480V
- 20kV standard
- CCT: 3000K, 4000K and 5000K (2700K-5700K*)
- CRI: 70, 80 and 90* CRI
- UL1598 Compliant
- Configurations: Post Mount 1x, 2x, 3x, 3x or Wall Mount
- 0-10V dimmable power supply
- IP66 Rated optical chamber for dust and moisture free performance
- Third party control compatibility
- Standard 5 year warranty (materials and workmanship)*

* Consult factory for additional options



Key Data	
Lumen Range	9,500-16,000
Wattage Range	79-133
Efficacy Range	Up to 120 LPW
Fixture Life	L70@25°C > 100,000 hours
Dimensions	18.3" x 26"
Weight	29.0 lbs
EPA	1.25

Example: RGL-26-5MQ1640K7MV-BZ

RGL-26	-XX	XX	AMKX	XX	-XX
Series	Distribution	Target Lumens	CCT Code	Voltage	Fixture Color
RGL-26	3M - Type 3, Medium 4M - Type 4, Medium 5MQ - Type 5, Square	9 - 9,500 lumens, 79W 12 - 12,500 lumens, 104W 16 - 16,000 lumens, 133W	30K8 - 3000K, 80 CRI 40K7 - 4000K, 70 CRI 40K8 - 4000K, 80CRI 50K7 - 5000K, 70CRI	MV - 120-277V UH - HTRD 277-480V	WH - White SV - Silver BL - Black BZ - Bronze



Rigel Series

Product Specifications

Construction & Materials

- Powder coated die-cast aluminum housing
- PMMA (Polymethyl methacrylate) high durability, non-discoloring lens
- Traditional style, custom designed housing
- Multi-stage pre-treatment and super high-durability TGIC powder coat finish, optional anodized pre-treatment SEAGUARD® marine finish

Optical System

- Type III, IV, and V square
- E-Z View Mid Power no-glare, no pixelization optics

Electrical System

- Input Voltage: 120-277VAC, 277-480VAC
- Power Factor: > 0.9
- Total Harmonic Distortion: <20%
- Operating Temperature Range: -40°C to 60°C

Testing & Certifications

- cETLus Listed
- UL1598, CSA STD.22.2 compliant
- IP66 Rated
- RoHS Compliant
- Can meet ARRA Buy America requirements as required

Lumen Maintenance

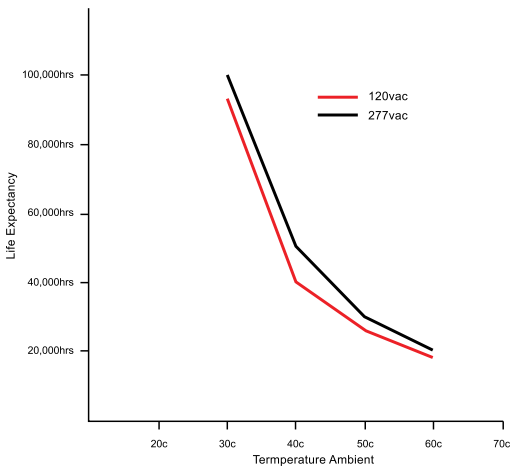
L70@ 25°C >100,000 hours

Photometry

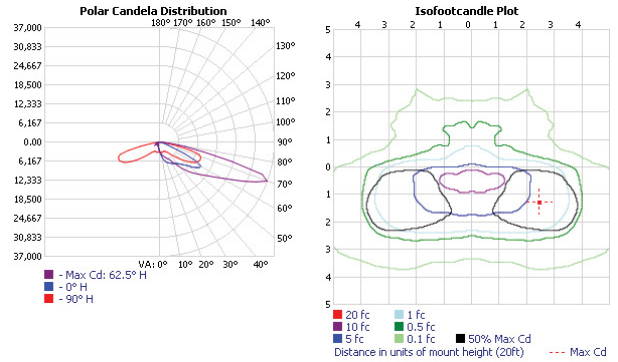
All published photometric testing data is performed to IESNA LM79-08 standards by a NVLAP accredited laboratory. To obtain an IES file specific to your project contact sales@eluminaire.com.

Thermal De-Rating Curve

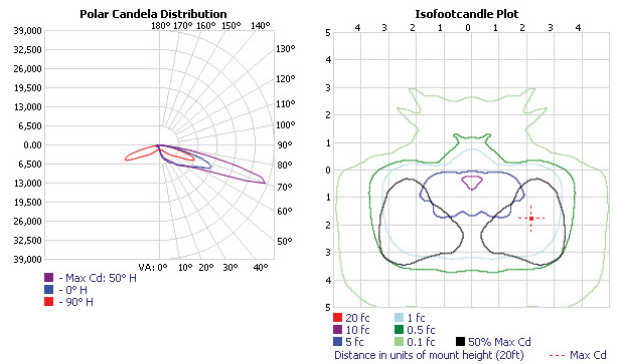
Life expectancy vs ambient temperature



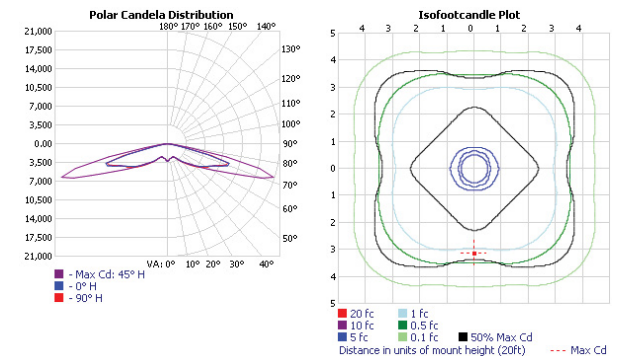
TYPE III



TYPE IV



TYPE V SQUARE



eLuminaire maintains a tolerance of +/- 7% on flux and power measurements. The information in this document is subject to change without notice.