

Date:	Location:
Type:	Project:
Catalog #:	

## Altair Series

Small LED Area Luminaire  
with Revolutionary eQuantum Optical System



The Altair family of LED area luminaires feature modern styling and a sleek architectural profile. The fixture is smaller than bulky, traditional 'shoe box' luminaires for easier handling and installation. The Altair utilizes state of the art LEDs combined with advanced eQuantum optics for precise control and energy-efficiency.

Typical applications include: Street and area lighting, parking lots/garages, site lighting, parks, industrial, retail and sports lighting.



## Product Performance

- Wattage Range: 44W-160W
- Low glare due to small Mid-power LEDs driven at low drive currents (refer to specific IES file for drive current)
- Input Voltage: 120-277V, 277-480V
- 20kA surge protection standard
- CCT: 3000K, 4000K and 5000K, Amber available\*
- CRI: 80 CRI\*
- UL1598 Compliant
- Driver mounted quick change component door with retaining cable
- Optional universal pole mounting kit available
- 0-10V dimmable power supply
- 5 year warranty (materials and workmanship)

\* Consult factory for additional options

Key Data	
Model	ALQ-S
Lumen Range	6,000-20,000
Wattage Range	44-160
Efficacy Range	Up to 157 LPW
Fixture Life	L70@25°C > 100,000 hours
Dimensions	15.7" x 10.6" x 4.8"
Weight	11.0 lbs
EPA	0.31

## Product Specifications

### Construction & Materials

- Multi stage pre-treatment and high-durability TGIC powder coat finish, optional anodized pre-treatment marine finish
- PMMA (Polymethyl methacrylate) high durability, non-discoloring lens
- Twist Lock receptacle accommodates industry standard 5-pin and 7-pin sensors
- Robust low profile design

### Electrical System

- Input Voltage: 120-277VAC, 277-480VAC
- Power Factor: > 0.9
- Total Harmonic Distortion: <20%
- 20kA surge protection standard
- Operating Temperature Range: -40°C to 60°C

### Optical System

- Type II, III, IV, V square, FR (Auto Dealer Front Row) and TC (Tennis/Pickle Ball Court)

### Testing & Certifications

- cETLus Listed
- UL1598, CSA STD.22.2 compliant
- IK07 Impact Rated
- 3G Vibration Rated
- IP66 Rated
- RoHS Compliant
- Meets ARRA requirements

### Lumen Maintenance

L70@ 25°C >100,000 hours



# Altair Series

## Ordering Information Example: ALQ-S-4M-20-4K8-MV-SV-PA-OC1-L3

Catalog Number:

Series	Distribution	Output Type <sup>2</sup>	CCT Code	Voltage	Fixture Color
ALQ-S - Small	2M - Type 2, Medium	<b>ALQ-S</b>	3K8 - 3000K, 80 CRI	MV - 120-277V	WH - White
	3M - Type 3, Medium	06 - 6,000 Lumens, 44W	4K8 - 4000K, 80 CRI	HV - 277-480V	SV - Silver
	4M - Type 4, Medium	08 - 8,000 Lumens, 55W	AMK - Amber (Specific Lumen Output)		BL - Black
	5MQ - Type 5, Square	10 - 10,000 Lumens, 74W	Other CCTs - Consult Factory		BZ - Bronze
	FR - Auto Dealer Front Row	12 - 12,000 Lumens, 94W			TC - Green
	TC - Tennis/Pickleball Courts	14 - 14,000 Lumens, 106W			RAL - Custom Color (Specify RAL)
	COO <sup>1</sup> - Custom Optic Orientation	16 - 16,000 Lumens, 120W 18 - 18,000 Lumens, 137W 20 - 20,000 Lumens, 160W			

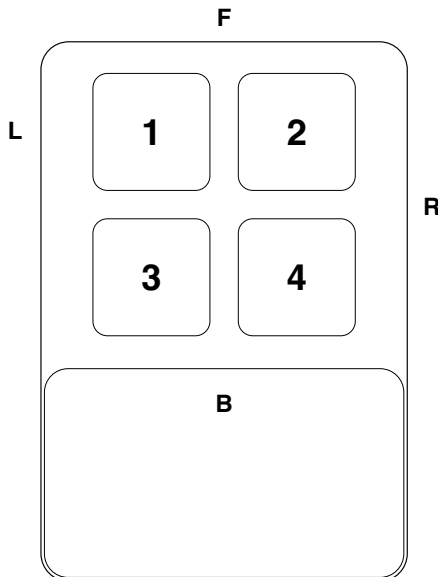
SLO - Specific Lumen Output

Mounting Options <sup>3</sup>	Options (Factory Installed)
PA - Square pole mounting arm kit (adapts to 4.0" round pole)	P7 <sup>4</sup> - NEMA 7-Pin Receptacle 110-480V
UM - Universal arm mount for square or round pole (4.0" min round pole)	PMT - NEMA Photocontrol 105-285V
SK - Adjustable slip fitter knuckle (fits 2.5" OD tenon)	P347 - NEMA Photocontrol 347V
WM - Wall mount kit	P480 - NEMA Photocontrol 480V
TN - Tenon Adapter	PSC - Photocell Shorting Cap
	HSS - House Side Shield
	TE - Tool Less Entry
	Custom External Shield (Consult Factory)
	OC1 - Integrated Occupancy Sensor (120-277VAC), <a href="#">Wattstopper FSP211</a>
	OC4 - Integrated Occupancy Sensor (100-480VAC), <a href="#">Wattstopper FSP221</a>
	L2 - Sensor FSP-L2 Lens, 360°, 48" Dia. Coverage at 8' Height or 72" Dia. Coverage at 12' Height
	L3 - Sensor FSP-L3 Lens, 360°, 40" Dia. Coverage at 20' Height
	L7 - Sensor FSP-L7 Lens, 360°, 100" Dia. Coverage at 40' Height
	AN - Marine Grade Pre-Anodized Finish with ASTM 316 Stainless Steel Fasteners

<sup>1</sup> Specify custom optic orientation details  
<sup>2</sup> See page 5 for specific lumen outputs for each distribution  
<sup>3</sup> Consult factory for custom mounting solutions  
<sup>4</sup> P7 will work for 3-pin receptacle, includes photocell shorting cap  
<sup>5</sup> Specify voltage (XXX = 120, 277, etc)

See pages 6-7 for mounting dimensions and details

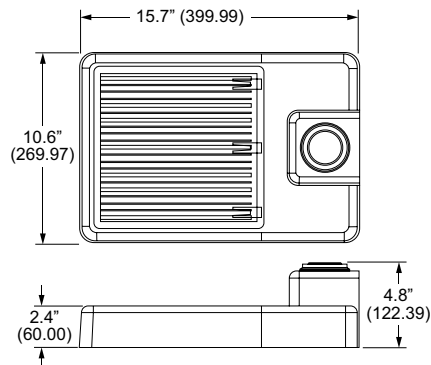
## Custom Optic Orientation Details (For COO Distribution Only)



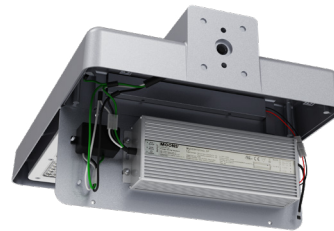
Position	Distribution (3M, 4M, 5MQ, FR, TC)	Orientation (F, B, L, R)
1		
2		
3		
4		

# Altair Series

## Dimensions



ALQ-S EPA: 0.31 Weight: 11.0 lb



Driver mounted quick change component door with retaining cables



Optional House Side Shield (HSS)

## SimplySNAP Option Details

- Multiple Zones, Behaviors, Events, and Schedules
- SimplySNAP creates a Wi-Fi connection to smart phone, tablet, or PC
- Optional SimplySNAP Remote Access (SSRA) service available
- Sunrise and Sunset Schedules driven by latitude and longitude
- Energy saving features including Daylight Harvesting and Demand Response
- Integrated Photocell
- NEMA/ANSI C136.41 7-pin Dimming Receptacle Support
- ANSI C136.52 Power Monitoring
- Remote control and scheduling
- Flexible Dimming Controls
- Secure, over-the-air upgrades to support future enhancements
- Seamless integration into the SimplySNAP lighting control system
- 24V DC Power for Motion Sensors
- Does not include 7-pin receptacle



SS450



CBS-450



TL7-HV

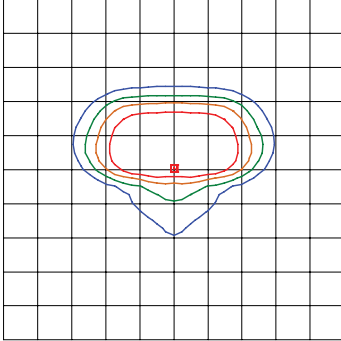
The information in this document is subject to change without notice.

# Altair Series

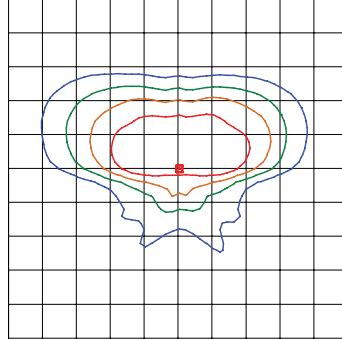
## Photometry

Lumen values are from photometric tests performed in accordance with IESNA LM-79-08. Data is considered to be representative of the configuration shown. Actual performance may differ as a result of end user environment and application. [Visit the Altair webpage](#) to download a complete set of photometric charts, IES files and more.

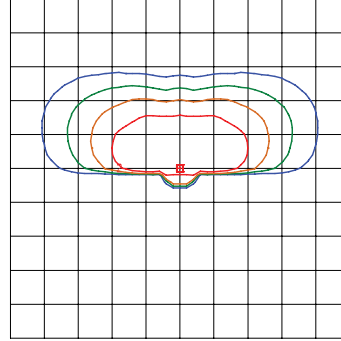
Type 2, Medium



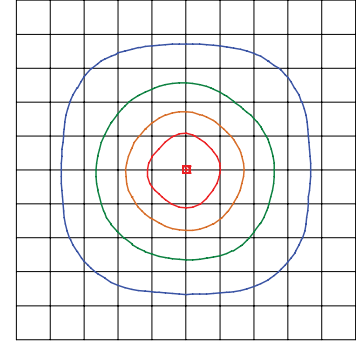
Type 3, Medium



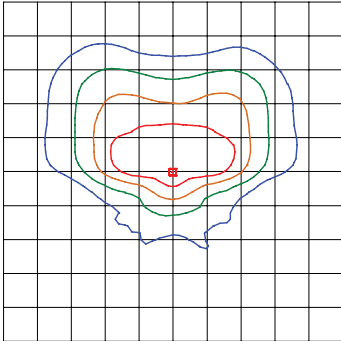
Type 3, Medium - HSS



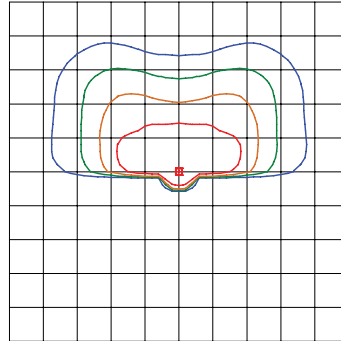
Type 5, Square



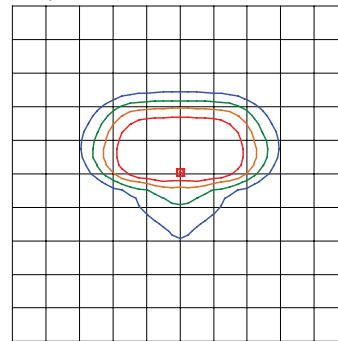
Type 4, Medium



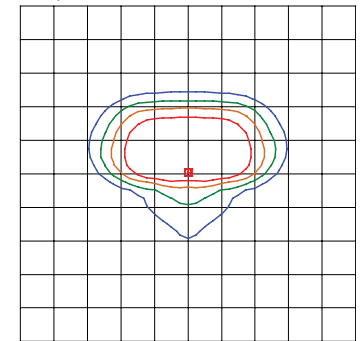
Type 4, Medium - HSS



TC, Tennis/Pickleball Courts

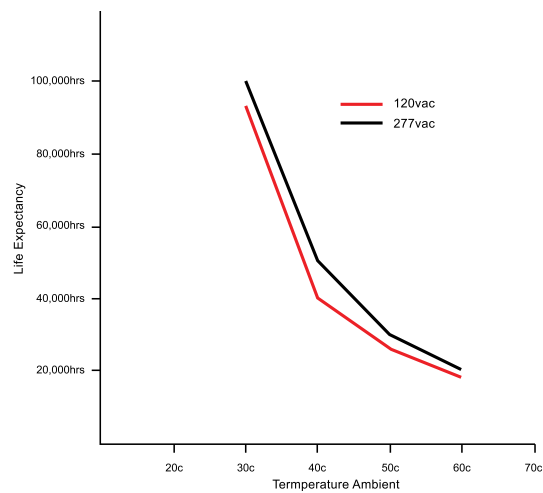


FR, Auto Dealer Front Row



## Thermal De-Rating Curve

Life expectancy vs ambient temperature



The information in this document is subject to change without notice.

# Altair Series

## Optical Performance (All values are for 4000K CCT, 70 CRI)

MODEL/WATTS	DISTRIBUTION	STREETSIDE LUMENS	HOUSESIDE LUMENS	TOTAL LUMENS	LPW	B	U	G
ALQ-S-06 44W (4000K, 70 CRI)	2M	5633.3 (86.1%)	912.7 (13.9%)	6546	148.8	1	0	1
	3M	5701.2 (82.2%)	1230.8 (17.8%)	6932	157.4	1	0	2
	3M-HSS	4459.2 (91.9%)	392.7 (8.1%)	4851.9	110.3	0	0	1
	4M	5416.1 (81.3%)	1242.7 (18.7%)	6658.8	151.3	1	0	2
	4M-HSS	4902.3 (92.3%)	409.7 (7.7%)	5312	120.7	1	0	2
	5MQ	3328.6 (48.7%)	3503.2 (51.3%)	6831.8	155.3	3	0	3
	FR	5633.3 (86.1%)	912.7 (13.9%)	6546	148.8	1	0	1
	TC	5633.3 (86.1%)	912.7 (13.9%)	6546	148.8	1	0	1

MODEL/WATTS	DISTRIBUTION	STREETSIDE LUMENS	HOUSESIDE LUMENS	TOTAL LUMENS	LPW	B	U	G
ALQ-S-08 55W (4000K, 70 CRI)	2M	6973.2 (86.1%)	1129.8 (13.9%)	8103	147.3	1	0	1
	3M	7056.6 (82.2%)	1523.4 (17.8%)	8580	156	2	0	2
	3M-HSS	5519.7 (91.9%)	486.1 (8.1%)	6005.8	109.2	1	0	2
	4M	6704.5 (81.3%)	1538.2 (18.7%)	8242.7	149.9	2	0	2
	4M-HSS	6068.8 (92.3%)	507.2 (7.7%)	6576	119.6	1	0	2
	5MQ	4120.4 (48.7%)	4336.5 (51.3%)	8456.9	153.8	3	0	3
	FR	6973.2 (86.1%)	1129.8 (13.9%)	8103	147.3	1	0	1
	TC	6973.2 (86.1%)	1129.8 (13.9%)	8103	147.3	1	0	1

MODEL/WATTS	DISTRIBUTION	STREETSIDE LUMENS	HOUSESIDE LUMENS	TOTAL LUMENS	LPW	B	U	G
ALQ-S-10 74W (4000K, 70 CRI)	2M	8757.2 (86.1%)	1418.9 (13.9%)	10176.1	137.5	1	0	1
	3M	8862.8 (82.2%)	1913.3 (17.8%)	10776.1	145.6	2	0	2
	3M-HSS	6932.3 (91.9%)	610.5 (8.1%)	7542.8	101.9	1	0	2
	4M	8420.5 (81.3%)	1932 (18.7%)	10352.5	139.9	2	0	2
	4M-HSS	7621.1 (92.3%)	637 (7.7%)	8258.1	111.6	1	0	2
	5MQ	5174.7 (48.7%)	5446.1 (51.3%)	10620.8	143.5	4	0	4
	FR	8757.2 (86.1%)	1418.9 (13.9%)	10176.1	137.5	1	0	1
	TC	8757.2 (86.1%)	1418.9 (13.9%)	10176.1	137.5	1	0	1

MODEL/WATTS	DISTRIBUTION	STREETSIDE LUMENS	HOUSESIDE LUMENS	TOTAL LUMENS	LPW	B	U	G
ALQ-S-12 96W (4000K, 70 CRI)	2M	10839 (86.1%)	1756.1 (13.9%)	12595.1	131.2	2	0	1
	3M	10969.8 (82.2%)	2365.2 (17.8%)	13338	138.9	2	0	2
	3M-HSS	8581.1 (91.9%)	755.7 (8.1%)	9336.8	97.3	1	0	2
	4M	10422 (81.3%)	2391.2 (18.7%)	12813.2	133.5	2	0	3
	4M-HSS	9432.7 (92.3%)	788.4 (7.7%)	10221.1	106.5	1	0	3
	5MQ	6404.9 (48.7%)	6740.9 (51.3%)	13145.8	136.9	4	0	4
	FR	10839 (86.1%)	1756.1 (13.9%)	12595.1	131.2	2	0	1
	TC	10839 (86.1%)	1756.1 (13.9%)	12595.1	131.2	2	0	1

MODEL/WATTS	DISTRIBUTION	STREETSIDE LUMENS	HOUSESIDE LUMENS	TOTAL LUMENS	LPW	B	U	G
ALQ-S-14 106W (4000K, 70 CRI)	2M	12254.6 (86.1%)	1985.5 (13.9%)	14240.1	134.3	2	0	1
	3M	12401.7 (82.2%)	2677.7 (17.8%)	15079	142.2	2	0	3
	3M-HSS	9700.5 (91.9%)	854.2 (8.1%)	10554.7	99.6	1	0	2
	4M	11782.8 (81.3%)	2703.4 (18.7%)	14486.2	136.7	2	0	3
	4M-HSS	10663.9 (92.3%)	891.3 (7.7%)	11555.2	109	1	0	3
	5MQ	7240.9 (48.7%)	7620.8 (51.3%)	14861.7	140.2	4	0	5
	FR	12254.6 (86.1%)	1985.5 (13.9%)	14240.1	134.3	2	0	1
	TC	12254.6 (86.1%)	1985.5 (13.9%)	14240.1	134.3	2	0	1

MODEL/WATTS	DISTRIBUTION	STREETSIDE LUMENS	HOUSESIDE LUMENS	TOTAL LUMENS	LPW	B	U	G
ALQ-S-16 120W (4000K, 70 CRI)	2M	13531.7 (86.1%)	2192.4 (13.9%)	15724.1	131	2	0	2
	3M	13964.6 (82.2%)	2956.5 (17.8%)	16651.1	138.8	3	0	3
	3M-HSS	10712.3 (91.1%)	943.3 (8.1%)	11655.7	97.1	1	0	2
	4M	13010.9 (81.3%)	2985.2 (18.7%)	15996.1	133	3	0	3
	4M-HSS	11775.9 (92.3%)	984.2 (7.7%)	12760.1	106.3	1	0	3
	5MQ	7995.6 (48.7%)	8415 (51.3%)	16410.6	136.8	4	0	5
	FR	13531.7 (86.1%)	2192.4 (13.9%)	15724.1	131	2	0	2
	TC	13531.7 (86.1%)	2192.4 (13.9%)	15724.1	131	2	0	2

MODEL/WATTS	DISTRIBUTION	STREETSIDE LUMENS	HOUSESIDE LUMENS	TOTAL LUMENS	LPW	B	U	G
ALQ-S-18 137W (4000K, 70 CRI)	2M	14995.6 (86.1%)	2429.6 (13.9%)	17425.2	127.2	2	0	2
	3M	15177.5 (82.2%)	3276.6 (17.8%)	18454.1	134.7	3	0	3
	3M-HSS	11872.2 (91.9%)	1045.5 (8.1%)	12917.7	94.3	1	0	2
	4M	14418.8 (81.3%)	3308.2 (18.7%)	17727	129.4	3	0	3
	4M-HSS	13050.5 (92.3%)	1090.7 (7.7%)	14141.2	103.2	1	0	3
	5MQ	8861.4 (48.7%)	9326.2 (51.3%)	18187.6	132.8	4	0	5
	FR	14995.6 (86.1%)	2429.6 (13.9%)	17425.2	127.2	2	0	2
	TC	14995.6 (86.1%)	2429.6 (13.9%)	17425.2	127.2	2	0	2

MODEL/WATTS	DISTRIBUTION	STREETSIDE LUMENS	HOUSESIDE LUMENS	TOTAL LUMENS	LPW	B	U	G
ALQ-S-20 160W (4000K, 70 CRI)	2M	16661.7 (86.1%)	2699.5 (13.9%)	19361.2	121	2	0	2
	3M	16862.7 (82.2%)	3640.4 (17.8%)	20503.1	128.1	3	0	3
	3M-HSS	13190.1 (91.9%)	1161.5 (8.1%)	14351.6	89.7	1	0	3
	4M	16020.4 (81.3%)	3675.6 (18.7%)	19696	123.1	3	0	4
	4M-HSS	14499.6 (92.3%)	1211.9 (7.7%)	15711.5	98.2	1	0	3
	5MQ	9845.6 (48.7%)	10362 (51.3%)	20207.6	126.3	5	0	5
	FR	16661.7 (86.1%)	2699.5 (13.9%)	19361.2	121	2	0	2
	TC	16661.7 (86.1%)	2699.5 (13.9%)	19361.2	121	2	0	2

### Lumen Multiplier (CRI)

CRI (70 CRI STD)	Lumen Multiplier
3000K, 80 CRI	0.850
4000K, 80 CRI	0.904
5000K, 80 CRI	0.942

### Lumen Multiplier (Temp)

Ambient Temperature	0°C (32°F)	5°C (41°F)	10°C (50°F)	15°C (59°F)	20°C (68°F)	25°C (77°F)	30°C (86°F)	35°C (95°F)	40°C (104°F)	45°C (113°F)	50°C (122°F)
Lumen Multiplier	1.05	1.04	1.03	1.02	1.01	1.00	0.99	0.98	0.97	0.96	0.95

### Electrical Load

Refer to specific IES file for drive current

System Watts (ALQ-S)	Current (A)					
	120V	208V	240V	277V	347V	480V
06 - 6,000 Lumens, 44W	0.37	0.21	0.18	0.16	0.13	0.09
08 - 8,000 Lumens, 55W	0.46	0.26	0.23	0.20	0.16	0.11
10 - 10,000 Lumens, 74W	0.62	0.36	0.31	0.27	0.21	0.15
12 - 12,000 Lumens, 94W	0.78	0.45	0.39	0.34	0.27	0.20
14 - 14,000 Lumens, 106W	0.88	0.51	0.44	0.38	0.31	0.22
16 - 16,000 Lumens, 120W	1.00	0.58	0.50	0.43	0.35	0.25
18 - 18,000 Lumens, 137W	1.14	0.66	0.57	0.49	0.39	0.29
20 - 20,000 Lumens, 160W	1.33	0.77	0.67	0.58	0.46	0.33

The information in this document is subject to change without notice.

# Altair Series Accessories

## Accessory Guide<sup>1</sup> (Field installed, order as separate line item)

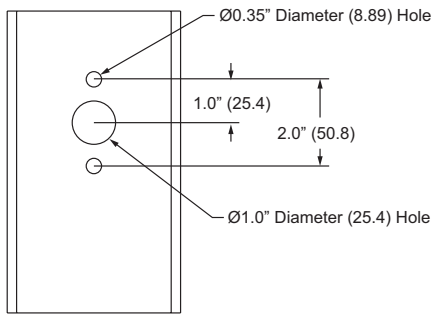
Accessory <sup>2</sup>	Description	Accessory <sup>2</sup>	Description
PAXX	Square pole mounting arm kit (adapts to 4.0" round pole)	SKXX	Adjustable slip fitter knuckle (fits 2.5" OD tenon)
UMXX	Universal arm mount for square or round pole (4.0" min round pole)	WMXX	Wall mount kit
		TNXX	Tenon Adapter

<sup>1</sup> Consult factory for custom mounting solutions

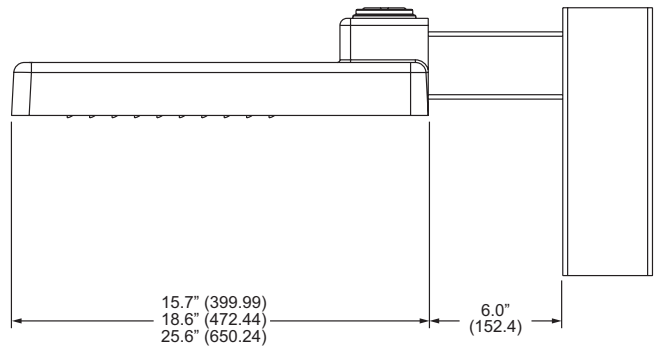
<sup>2</sup> XX = WH, SV, BL or BZ

All mounting accessories include hardware and necessary gaskets. Refer to installation guide for more details.

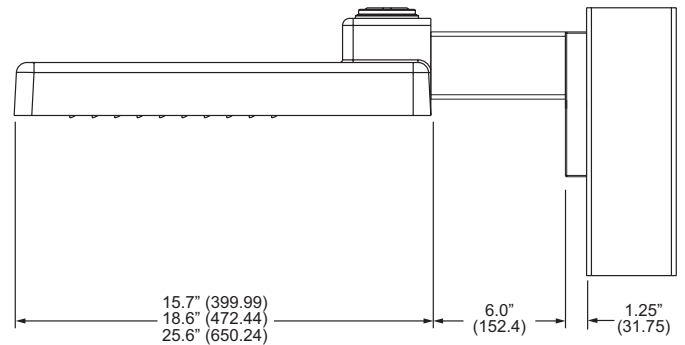
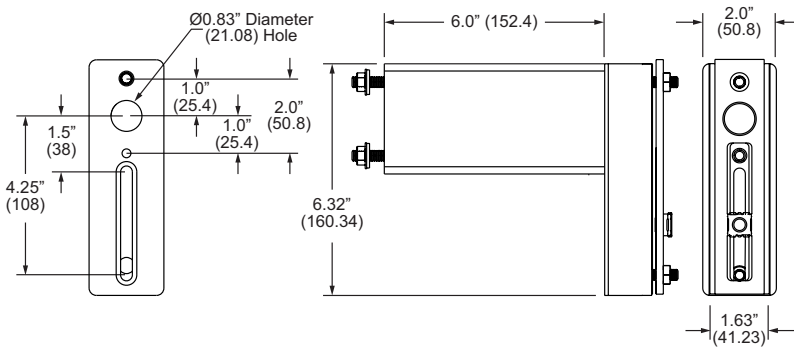
### Standard Pole Arm Mount Details (PA)



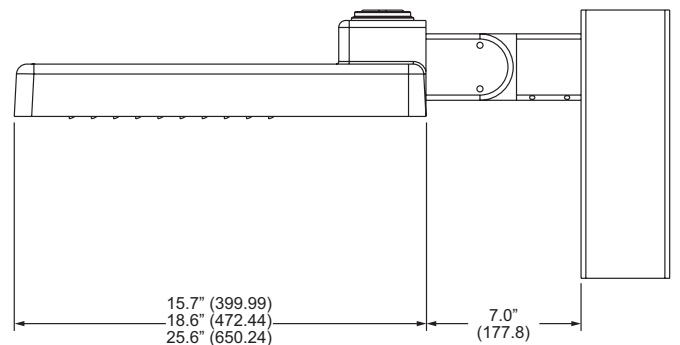
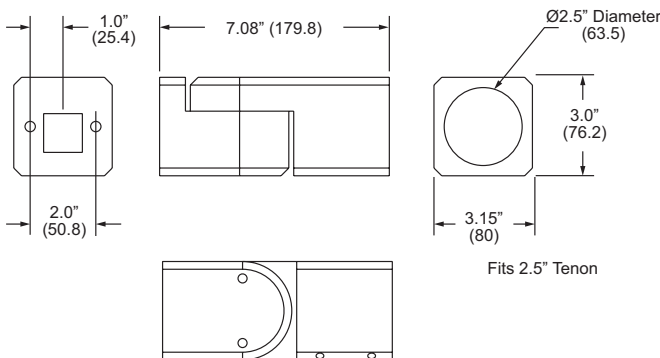
Pole Drilling Details



### Universal Arm Mount Details (UM)



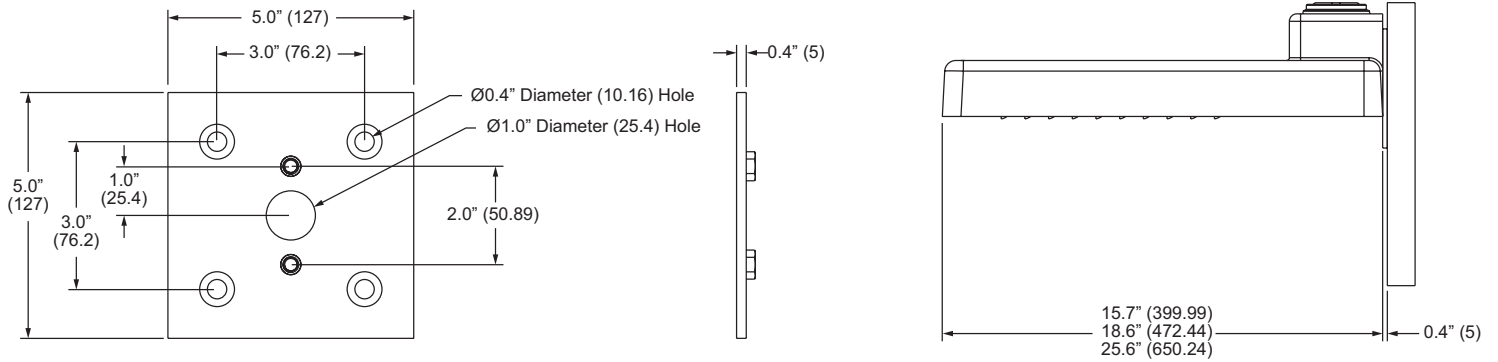
### Slipfitter Knuckle Mount Details (SK)



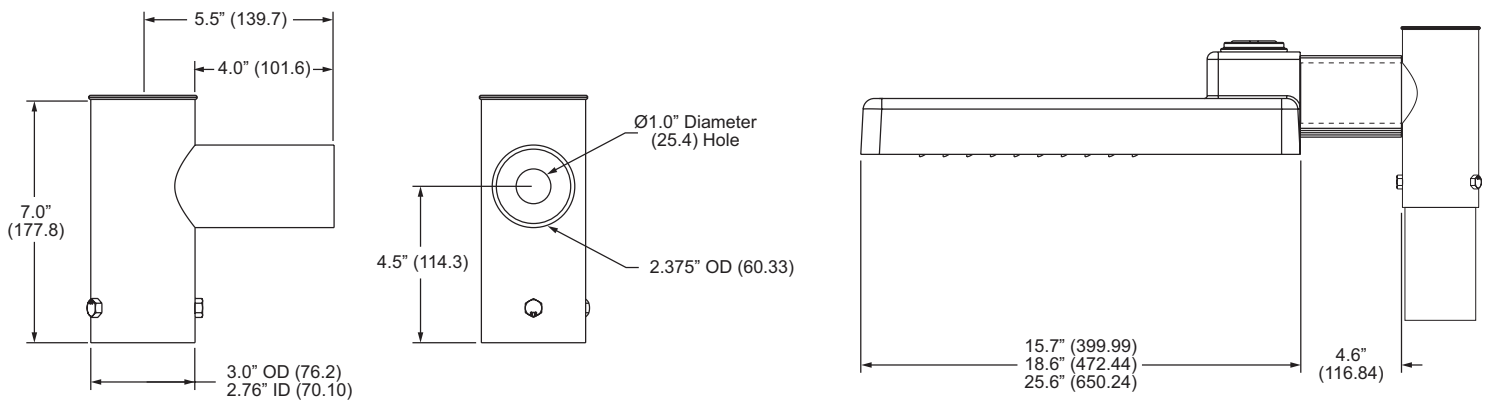
The information in this document is subject to change without notice.

# Altair Series Accessories

**Wall Mount Details (WM)** May be used in conjunction with Standard Arm Mount (PA) Sold Separately



**Tenon Adapter (TN)** Shown used in conjunction with Mast Arm Mount (MA) Sold Separately



The information in this document is subject to change without notice.