

## RBB 8W

### Remote Battery Backup

#### Product Description

Add emergency egress lighting to select eLuminaire products with the Remote Battery Backup accessory. Economical and easy to install, RBB provides from 800 to 1200 lumens of emergency lighting (dependent on fixture type) for 90 minutes. The RBB can be mounted vertically or horizontally, and compatible fixtures are provided with 12' of cable for connections to the RBB. The RBB features a test switch with built in LED status indicator and reliable Ni-Cd battery technology.

Compatible with most eLuminaire products, see individual product specification for more details.

#### Product Performance

- Illumination Time: 90 min
- ETL Listed
- Input Voltage: 120-277VAC, 50/60Hz or 277-480VAC, 50/60Hz
- Input Current: 70MA/120VAC, 30MA/277VAC or 24MA/347VAC, 17MA/480VAC
- Input Power: 7.5W
- Output Voltage: 24VDC
- Output Current: 350MA
- Output Power: 8W
- Trickle Charge Current: 200MA
- Battery Type: Ni-Cd 4000MA 6V Single/Dual D Cell
- Battery Charging Current: 600MA
- Recharge Time: ≥12 Hours
- Status Indicator: LED
- Test Switch: Momentary
- Ambient Operating Temperature: -20°C to 50°C
- Housing: White Powercoated Finish Only
- Weight: 4.8 lbs (800-1200 lumens)
- Warranty: 3 Years

All battery backup configurations will be 5000K CCT and have a CRI of 70 in emergency mode.



Remote Battery Backup connection to eLuminaire LED high bay fixture.

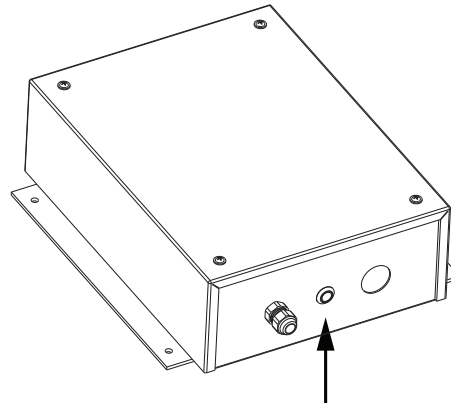
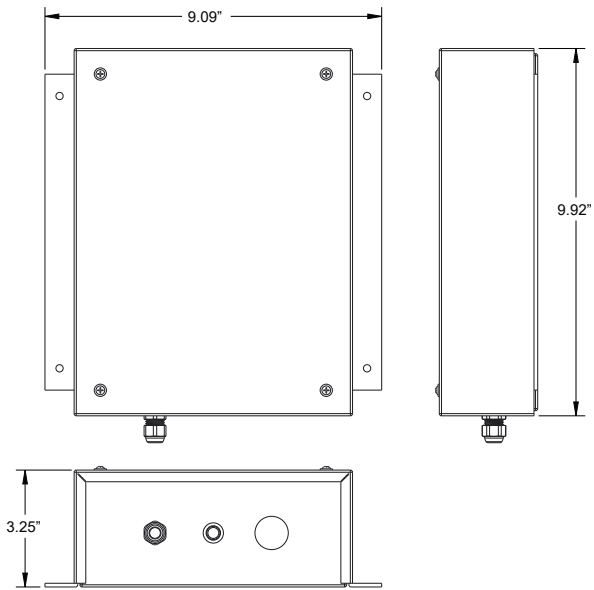
#### Ordering Guide

Model	Description
RBB1	Remote Battery Back Up 8W (800-1200 lumens) 120-277VAC with Internal Switch
RBB2	Remote Battery Back Up 8W (800-1200 lumens) 347-480VAC with Internal Switch
RBB3	Remote Battery Back Up 8W (800-1200 lumens) 120-277VAC with Remote Mount Switch
RBB4	Remote Battery Back Up 8W (800-1200 lumens) 347-480VAC with Remote Mount Switch

#### Compatibility

RCS1	RHS1	LHB1
•	•	•
	•	•
•	•	•
	•	•





TEST SWITCH WITH  
BUILT IN LED INDICATOR  
CHARGING - EVEN FLASH  
CHARGED - ONE FLASH, LONG PAUSE  
NO BATTERY - TWO FLASHES, LONG PAUSE  
PUSH SWITCH TO TEST

Remote Mount Switch

