

HMS Series

High Mast LED Area Luminaire

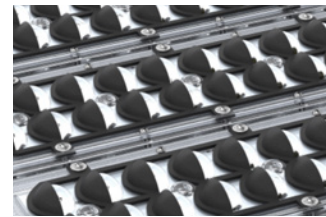
Product Description

The HMS Series LED high mast luminaire features a low profile, sleek architectural design. Durable and reliable, and producing up to 61,000 lumens, the HMS is ideal for the tall mounting heights found in dockyards, roadway and port applications. The HMS Series utilizes state of the art Cree LEDs combined with in-house optics for the precise control and superb light quality.

Applications: Industrial, Warehouse Sites, Dockyards, Ports, Roadways, Parking Lots.

Product Performance

- Wattage: 334 or 476W
- Input Voltage: 277-480V
- CCT: 3000K - 5000K
- CRI: 70-90 CRI
- 20kA surge protection standard
- UL1598 Compliant
- Safety cable on driver compartment door standard
- Drivers and surge protection are easily accessible and feature quick connects for rapid replacement
- 0-10V dimmable power supply
- 5 year warranty



Optional House Side Shield (HSS)

Ordering Guide

Example: HMS-5WR44050K7UH-WH

HMS-Series	XX Distribution	XXX Approximate Lumens*	XXXX CCT Code	XX Voltage	-XX Fixture color	-RM Mounting
eLHMS	2MR - Type 2 3MR - Type 3 4MR - Type 4 5MQ - Type 5, Square 5WR - Type 5, Round	440 - 44,188 lumens, 334W 610 - 61,030 lumens, 476W	30K8 - 3000K, 80 CRI 40K7 - 4000K, 70 CRI 40K8 - 4000K, 80CRI 50K7 - 5000K, 70CRI 50K8 - 5000K, 80CRI AMKX - Amber, Special Order	UH - 277-480V	WH - White SV - Silver BL - Black BZ - Bronze	RM - Round Mast Mount TM - Trunnion Mount
<p>Options (Factory Installed) HSS - House Side Shield</p>						

* Use ies files for actual lumen values for specific CCT and CRI configurations.



HMS Series

Product Specifications

Construction & Materials

- Multi stage pre-treatment and high-durability TGIC powder coat finish, optional anodized pre-treatment marine finish
- Polycarbonate lens
- Twist Lock receptacle accommodates industry standard 5-pin and 7-pin sensors
- Robust low profile design

Optical System

- Type II, III, IV, V round, V square

Electrical System

- Input Voltage: 277-480VAC
- Power Factor: > 0.9
- Total Harmonic Distortion: <20%
- 20kA surge protection standard
- Operating Temperature Range: -40°C to 60°C

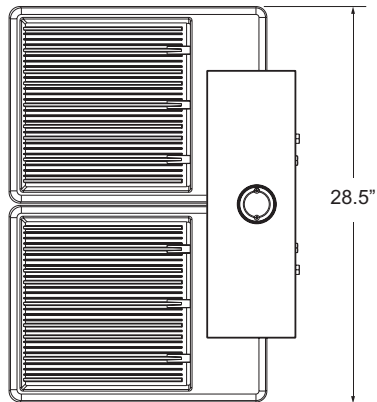
Testing & Certifications

- cETLus Listed
- UL1598, CSA STD.22.2 compliant
- IK07 Impact Rated
- IP65 Rated
- RoHS Compliant
- Can meet ARRA Buy America requirements as required

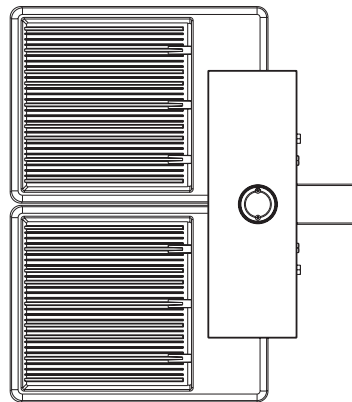
Lumen Maintenance

- L90@ 25C >190,000 hours

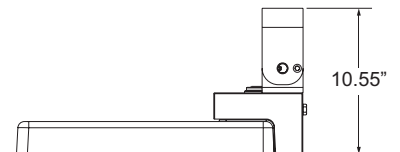
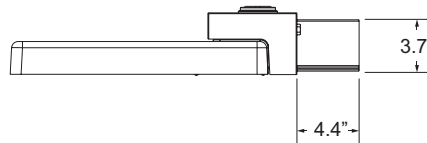
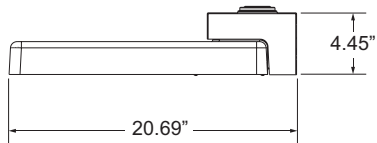
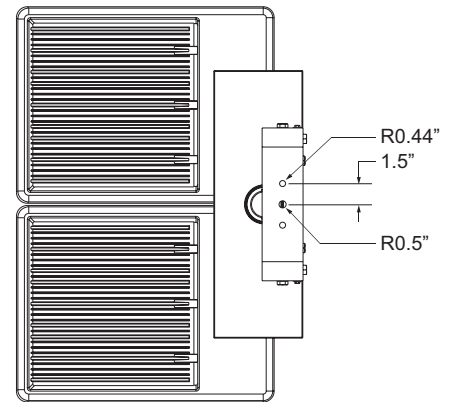
HOUSING DIMENSIONS



ROUND MAST MOUNT



TRUNNION MOUNT



EPA: 0.90

Fixture Weight: 44lbs