

CCS1 Series

READ AND FOLLOW ALL INSTRUCTIONS CAREFULLY TO ENSURE PROPER AND SAFE INSTALLATION

1. **WARNING:** Risk of fire or electrical shock.
2. **WARNING:** Disconnect power before installing or servicing.
3. **WARNING:** All wiring to be performed per National Electrical Code and local code by a qualified electrician.
4. Outdoor use only.
5. Suitable for Wet Location covered canopy.
6. Non-combustable surfaces only.

Fixture Wiring

1. Remove four (4) screws housing assembly and remove lower housing (FIG A).
2. Unplug quick connects between upper and lower housing. Remove knockouts and secure upper housing (FIG C) to surface or pendant mount. Use temporary hanging cable and hook to suspend lower housing (FIG D) during wiring.

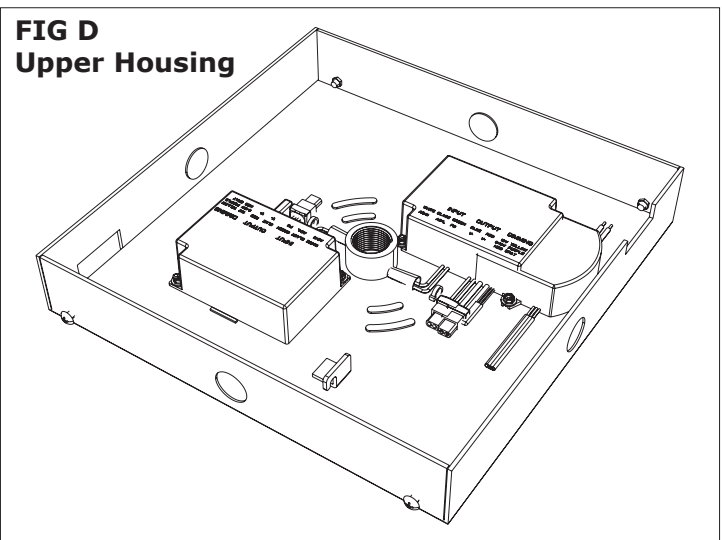
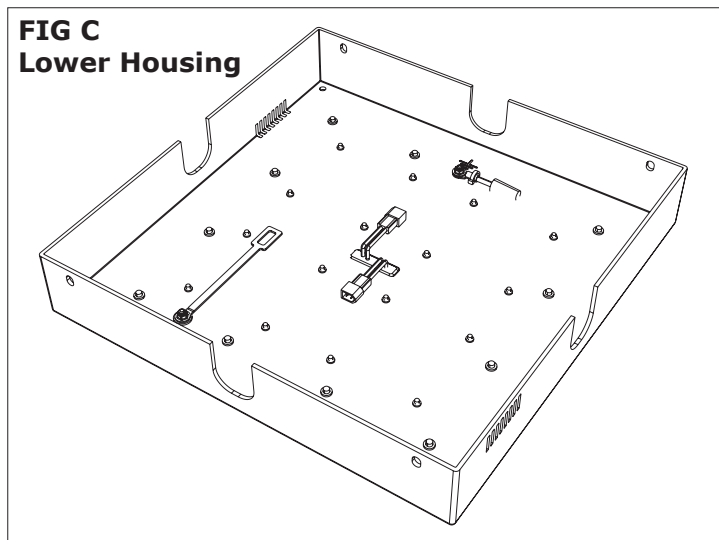
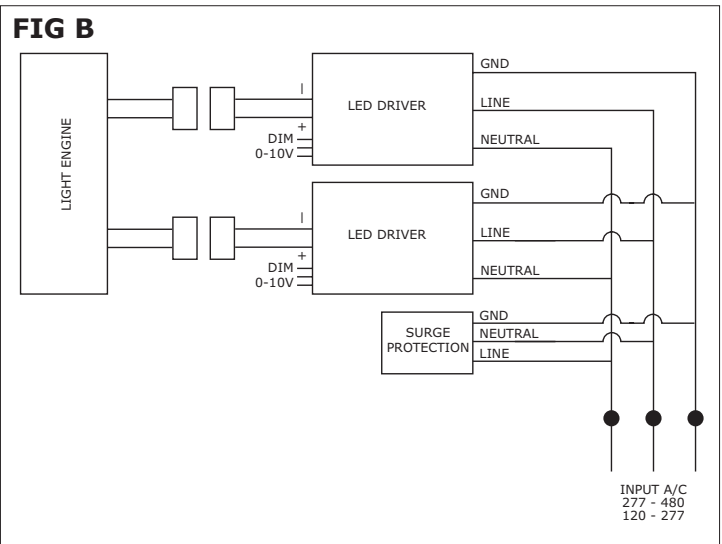
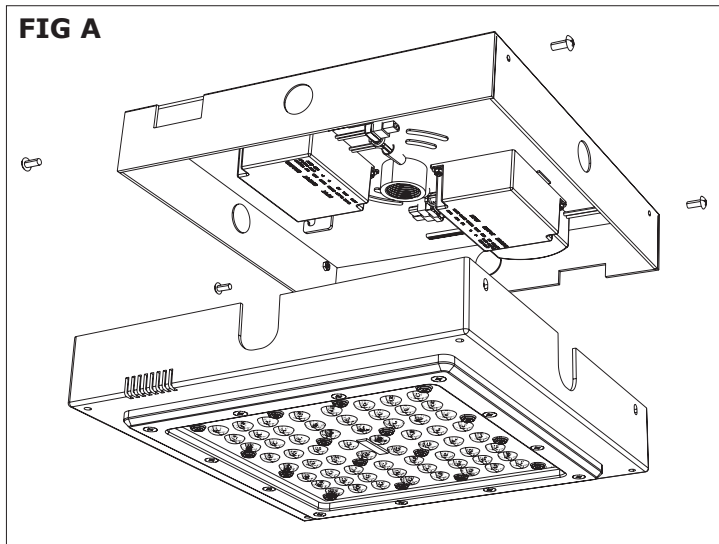
Note: See (FIG E) for pendant mounting instructions
See (FIG G) for thru conduit mounting instructions

3. Connect supply wires to fixture using appropriate wire nuts (FIG B).
 - 1.2. Connect ground wires to fixture ground (green).
 - 1.3. Connect AC common wire to fixture common (white).
 - 1.4. Connect AC line wire to fixture(s) common (black).

5. Reconnect upper housing to lower housing with quick connects.
6. After making connections, replace fixture cover and secure with provided screws. **NOTE: Be sure cover fits properly and there is no interference with wiring.**

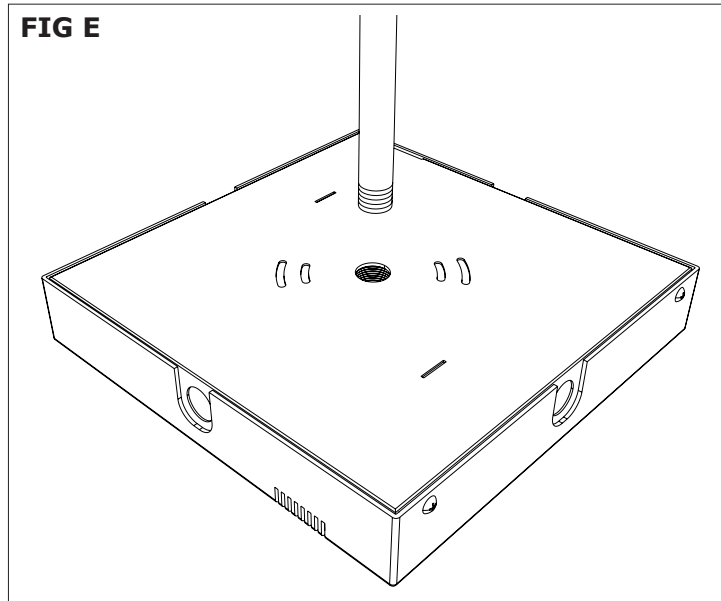
Dimming Controls

This luminaire supports 0-10V dimming (control supplied by others) via the yellow (10V), purple (0-10V) or gray (neg) wires on the output side of the driver. Follow specific dimming control instructions for proper wiring.



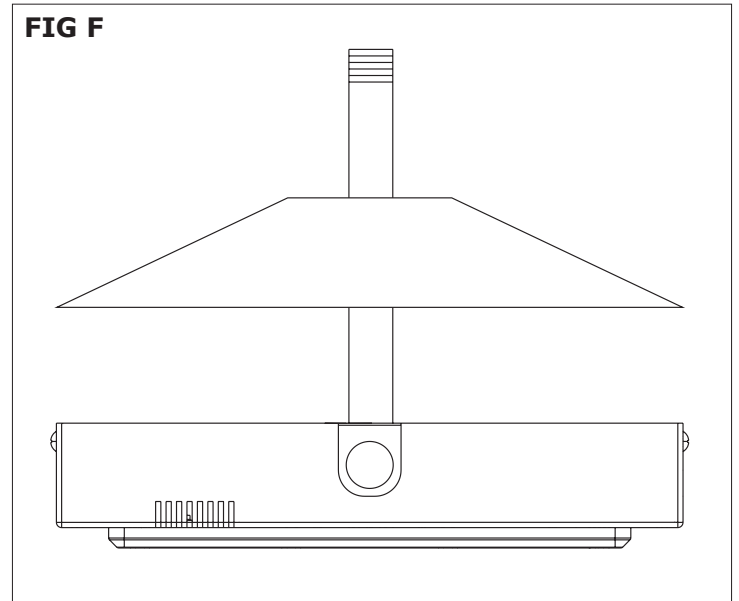
Pendant Mount Installation

1. Feed leads from fixture through 1/2" NPT pendant (supplied by customer). Screw pendant into threaded fixture hub. Use teflon tape to seal pipe connection.
2. Connect supply wires to fixture using appropriate wire nuts (FIG B).



Optional Bird Guard

1. Slide bird guard (ordered separately) over pendant (FIG F) until it rests on top of fixture.



Thru Fixture Conduit Installation

1. Maximum 2.5 amp load.
2. For connections made inside the fixture, supply wires should be 14 AWG, 600 V rated for 105°C.
3. Use appropriate wire nuts for number of connections and wire type per NEMA standard.

