

AWP1 Series

Adjustable Wallpack

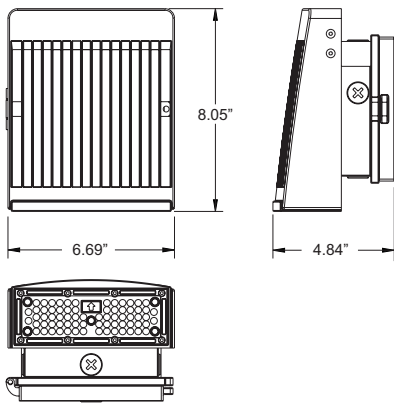
Product Description

The adjustable design of the AWP1 Series is engineered to fit any demanding wallpack application with the lowest possible power consumption. Easily adjust the angle to provide maximum coverage to adapt to any installation. The durable and robust design allows for mounting directly to a J-box or conduit mounting. Delivering 3,850 to 6,380 lumens while only consuming 35 or 55 watts, it's the ideal low power, high efficiency wallpack.

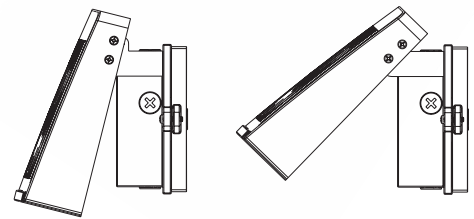
Applications: Security lighting, landscape lighting, parking lots

Product Performance

- Wattage Range: 35W-55W
- 3,850 to 6,380 lumens
- Input Voltage: 120-277V
- CCT: 4000K, 5000K, 5700K available
- CRI: Minimum 70 CRI
- IP65 Rated
- UL1598 Compliant
- 5 year Warranty



Fixture Weight: 35W, 5.5 lbs
55W, 5.7 lbs



Easily adjust the angle to provide maximum coverage

Ordering Guide

Example: AWP1-3540KAT1

Series	Lumen Output Type	CCT Code	Mfg Rev Code	Optic Type	Fixture Color	Options
AWP1	35 - 4200 Lumens, 35W 55 - 6380 Lumens, 55W	40K ¹ - 4000K, 70 CRI 50K - 5000K, 70 CRI 57K - 5700K, 70 CRI	A - Mfg Rev	T1 - Type I	(BLANK) ² - Bronze	P - Photocontrol S - Surge Suppressor

¹ Standard stock - other CCTs and CRIs available, consult factory for details

² Standard stock - other colors available, consult factory for details



AWP1 Series

Product Specifications

Construction & Materials

- Powder Coated Aluminum Housing
- UV Stabilized single PMMA Lens
- Robust adjustable design with active thermal management
- Flush J-box mounting or conduit mounting, includes 1/2" top and side conduit connections



Electrical System

- Input Voltage: 120-277VAC
- Power Factor: > 0.9
- Total Harmonic Distortion: <20%
- Operating Temperature Range: -20°C to 45°C

Testing & Certifications

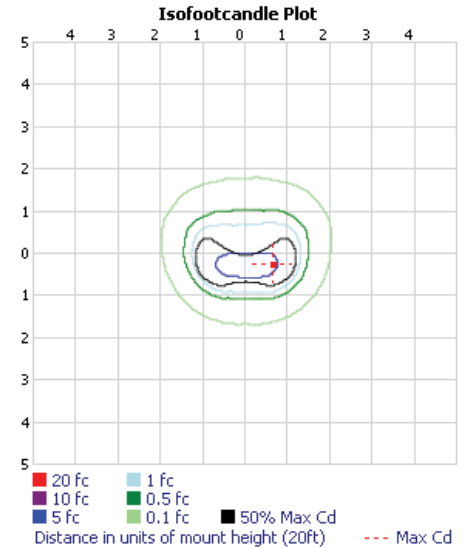
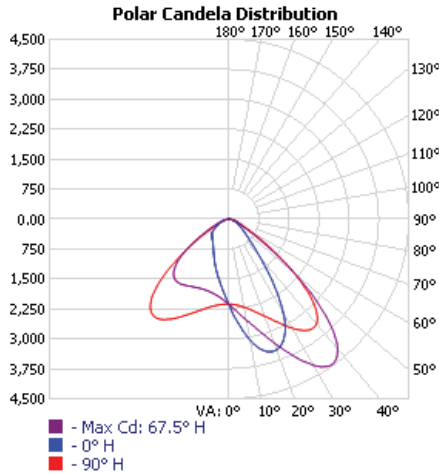
- cULus Listed
- UL1598, CSA STD.22.2 compliant
- DesignLights® Consortium Qualified when pointing straight down
- IP65 Rated
- RoHS Compliant

Lumen Maintenance

L70@ 25C >75,000 hours

Photometry

All published photometric testing data is performed to IESNA LM79-08 standards by a NVLAP accredited laboratory. To obtain an IES file specific to your project contact sales@eluminaire.com.



Output Type	4000K		5000K		5700K	
	Initial Delivered Lumens	Lumens Per Watt	Initial Delivered Lumens	Lumens Per Watt	Initial Delivered Lumens	Lumens Per Watt
35	3,940	115	3,998	116	4,055	117
55	6,114	116	6,150	117	6,185	119

eLuminaire maintains a tolerance of +/- 7% on flux and power measurements. The information in this document is subject to change without notice.