

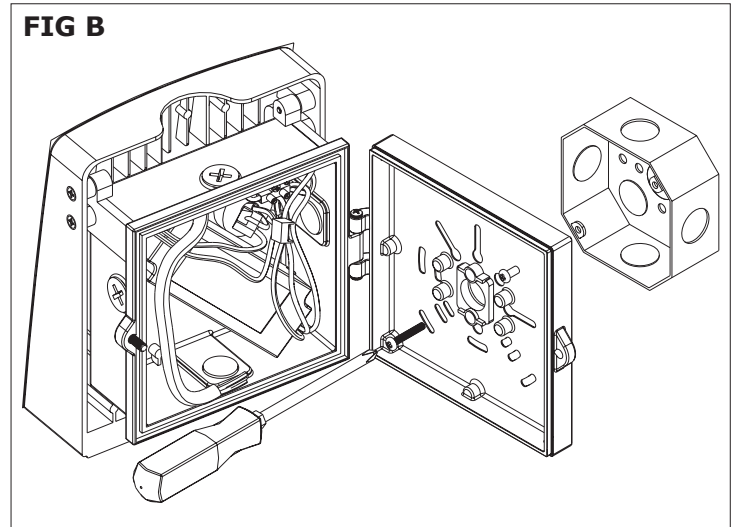
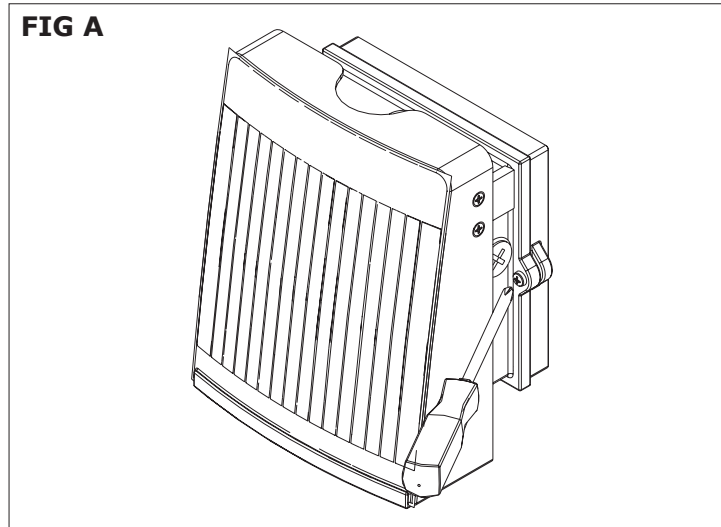
AWP Series

READ AND FOLLOW ALL INSTRUCTIONS CAREFULLY TO ENSURE PROPER AND SAFE INSTALLATION

1. **WARNING:** Risk of fire or electrical shock.
2. **WARNING:** Disconnect power before installing or servicing.
3. **WARNING:** All wiring to be performed per National Electrical Code and local code by a qualified electrician.
4. Outdoor use only.
5. Suitable for Wet Location.
6. Non-combustable surfaces only.

J-Box Mounting (See page 2 for Wall/Conduit Mount)

1. Loosen captive screws on enclosure and rotate fixture open. (Fig. A)
2. Use a drill to open required installation holes and remove wiring plug, feeding supply wires into fixture. Secure fixture to junction box. (Fig. B)



3. Connect supply wires to fixture using provided wire nuts.
 - 1.1. Connect ground wires (green).
 - 1.2. Connect AC common wire (white).
 - 1.3. Connect AC line wire (black).
4. Close door assembly and tighten captive screws.
5. To adjust fixture angle, loosen bottom screws on both sides of enclosure. Adjust fixture to desired angle and tighten screws to hold in place. (Fig. C & D)

