

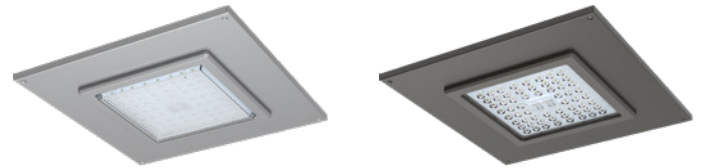
## RCS1 Series

Recessed Canopy Series 1

### Product Description

The RCS1 Series LED Luminaire has a form factor designed to exceed standards for all recessed canopy and soffit applications. The RCS1 protrudes less than 1" from the surface when recessed into a soffit. The RCS1 Series comes with three different optical configurations to choose from in order to optimize performance in the application: Performance Canopy, Standard Garage and Low Glare (Diffused) Canopy. Delivering between 2350 to 9000 lumens while only consuming 20 to 67 watts, it's the ideal recessed canopy/garage luminaire.

Applications: Recessed canopy soffits, Low-mid bay general lighting, Parking garages.



### Product Performance

- Wattage Range: 20W-67W
- Input Voltage: 120-277V
- CCT: 4000K or 5000K standard, amber and other CCTs available
- CRI: Minimum 70 CRI
- IP66 Rated Light Engine Compartment
- UL1598 Compliant
- Available in 3 Optical Distributions
- 10kV Surge Suppression available
- 0-10V Dimmable Power Supply
- Available Sensor: Wattstopper FSP 211 with L2 lens
- 5 year Warranty

### Accessories

- Torx Screws

### Ordering Guide

Example: RCS1-G2550K-WH-C01

RCS1-	XX	XX	XXX	XX	-XX	-C01
Series	Distribution	Lumen Output Type	CCT Code	Voltage	Fixture Color	Options
RCS1	G - Perf Garage	25 - 2500 lumens, 20W	40K - 4000K	(Blank) - 120-277V	WH - White	OC1 - Wattstopper FSP211-L2
	P - Perf Canopy	45 - 4500 lumens, 36W	50K - 5000K		BZ - Bronze	SP277 - 10KV Surge Suppression
	DP - Diffused Canopy	60 - 6000 lumens, 50W	AMKX - Amber, Special Order		SV - Silver	See <a href="#">RBB 8W</a> or <a href="#">RBB 16W</a> specs for Remote Battery Backup info <sup>1</sup>
		80 - 8000 lumens, 67W	Other CCTs - Special Order			

### Accessory Guide (Field installed, order as separate line item)

Accessory Number	Description
TX01	Torx Screws
RCS16-XX	16" Square Surface Mount Conversion Box (XX = WH - White, BZ - Bronze, SV - Silver)

### Custom Size

(Blank) - 16"x16" (Std)  
 144-225 - 144 to 225 sq in (Max 50W)  
 225-784 - 225 to 784 sq in (Max 72W)

<sup>1</sup> Battery backup configurations will correspond to active mode fixture configuration outputs at 3000K, 4000K or 5000K. NOTE: battery backup output will correspond to active mode output CCT differences.



## RCS1 Series

### Product Specifications

#### Construction & Materials

- Powder Coated Aluminum Housing
- UV Stabilized single PMMA Lens - Tamper resistant
- Robust low profile design
- Recessed mount covered canopy only

#### Optical System

- G Lens - Type V Wide Garage Lens
- D Lens - Type V Low Glare Medium Canopy Lens
- DP Lens - Type V Low Glare Medium Canopy Lens

#### Electrical System

- Input Voltage: 120-277VAC
- Power Factor: > 0.9
- Total Harmonic Distortion: <20%
- Operating Temperature Range: -40°C to 60°C

#### Testing & Certifications

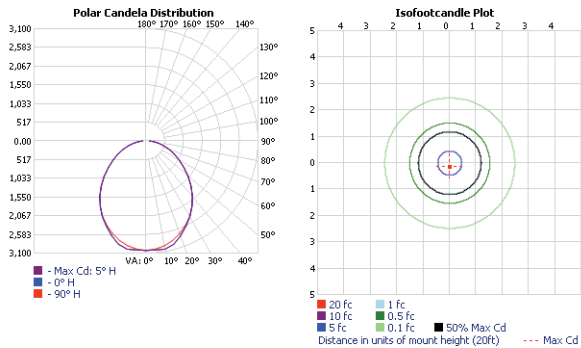
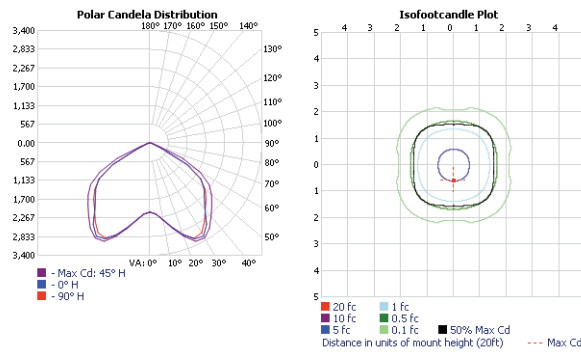
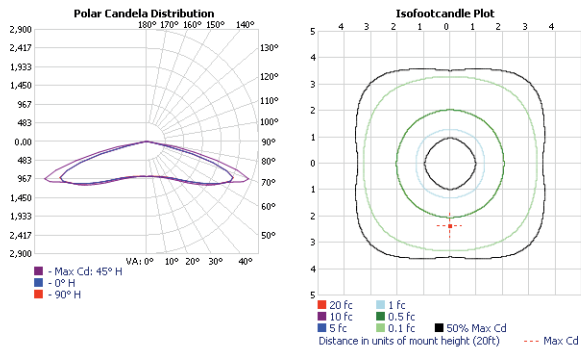
- cETLus listed
- UL1598, CSA STD.22.2 compliant
- Suitable for Wet Locations Covered Canopy
- IP66 Rated
- RoHS Compliant
- Driver complies with FCC Part 15 Class B/EN55015, EN61000-3-2 Class C, EN61000-3-3
- DesignLights Consortium® Qualified Product
- Can meet ARRA Buy America requirements as required

#### Lumen Maintenance

L70@ 25C >190,000 hours

### Photometry

All published photometric testing data is performed to IESNA LM79-08 standards by a NVLAP accredited laboratory. To obtain an IES file specific to your project contact sales@eluminaire.com.



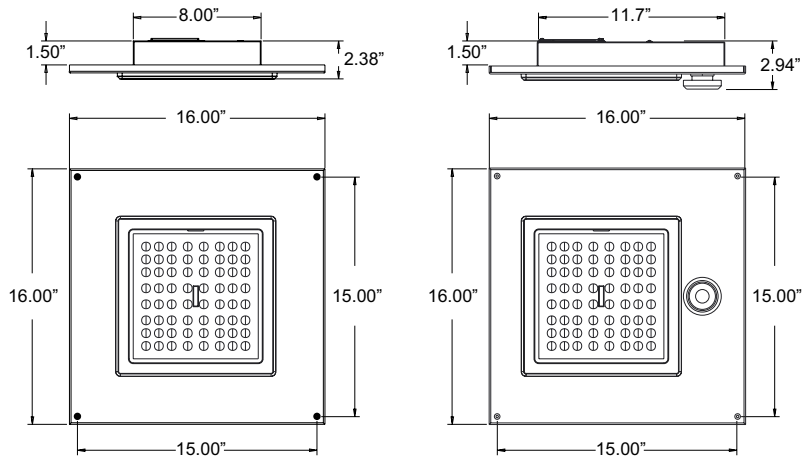
Output Type	Performance Garage Distribution					
	4000K			5000K		
	Initial Delivered Lumens	Lumens Per Watt	BUG Ratings per TM-15	Initial Delivered Lumens	Lumens Per Watt	BUG Ratings per TM-15
25	2543	127.15	B2, U0, G1	2533	126.65	B2, U0, G1
45	4582	127.28	B3, U0, G1	4601	127.81	B3, U0, G1
60	6306	126.12	B3, U0, G1	6168	123.36	B3, U0, G2
80	8466	126.36	B3, U0, G2	8589	128.19	B3, U0, G2

Output Type	Performance Canopy Distribution					
	4000K			5000K		
	Initial Delivered Lumens	Lumens Per Watt	BUG Ratings per TM-15	Initial Delivered Lumens	Lumens Per Watt	BUG Ratings per TM-15
25	2670	133.50	B1, U0, G0	2670	133.50	B1, U0, G0
45	4815	133.75	B2, U0, G0	4839	134.42	B2, U0, G1
60	6586	131.72	B2, U0, G1	6472	129.44	B2, U0, G1
80	8940	133.43	B3, U0, G1	9016	134.57	B3, U0, G1

Output Type	Diffused Canopy Distribution					
	4000K			5000K		
	Initial Delivered Lumens	Lumens Per Watt	BUG Ratings per TM-15	Initial Delivered Lumens	Lumens Per Watt	BUG Ratings per TM-15
25	2352	117.60	B1, UX, G1	2350	117.50	B1, UX, G1
45	4227	117.42	B2, UX, G1	4282	118.94	B2, UX, G1
60	5702	114.04	B2, UX, G1	5590	111.80	B2, UX, G1
80	7829	116.85	B3, UX, G2	7887	117.72	B3, UX, G2

eluminaire maintains a tolerance of +/- 7% on flux and power measurements. The information in this document is subject to change without notice.

## RCS1 Series



Shown with Sensor (Option: C01).

Fixture Weight: 8.0 to 9.75 lbs

## Surface Mount Conversion (RCS16-XX)

