

RBB 16W

Remote Battery Backup

Product Description

Add emergency egress lighting to select eLuminaire products with the Remote Battery Backup accessory. Economical and easy to install, RBB provides from 1600 to 2400 lumens of emergency lighting (dependent on fixture type) for 90 minutes. The RBB can be mounted vertically or horizontally, and compatible fixtures are provided with 12' of cable for connections to the RBB. The RBB features a test switch with built in LED status indicator and reliable Ni-Cd battery technology.

Compatible with most eLuminaire products, see individual product specification for more details.

Product Performance

- Illumination Time: 90 min
- ETL Listed
- Input Voltage: 120-277VAC, 50/60Hz or 277-480VAC, 50/60Hz
- Input Current: 70MA/120VAC, 30MA/277VAC or 24MA/347VAC, 17MA/480VAC
- Input Power: 15W
- Output Voltage: 48VDC
- Output Current: 350MA
- Output Power: 16W
- Trickle Charge Current: 200MA
- Battery Type: Ni-Cd 4000MA 6V Single/Dual D Cell
- Battery Charging Current: 600MA
- Recharge Time: ≥12 Hours
- Status Indicator: LED
- Test Switch: Momentary
- Ambient Operating Temperature: -20°C to 50°C
- Housing: White Powercoated Finish Only
- Weight: 9.0 lbs (1600-2400 lumens)
- Warranty: 3 Years

All battery backup configurations will be 5000K CCT and have a CRI of 70 in emergency mode.

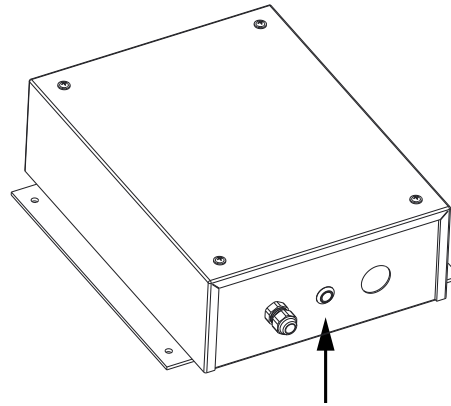
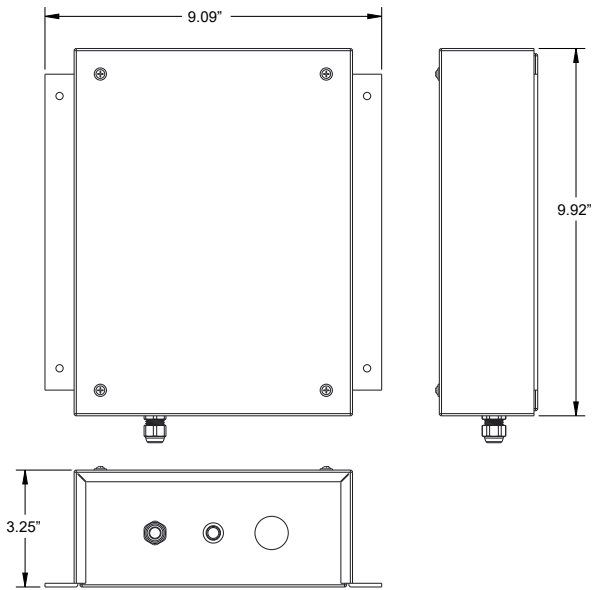


Remote Battery Backup connection to eLuminaire LED high bay fixture.

Ordering Guide

Model	Description	Compatibility						
		CGS2	CCS1	CIPS1_2	CSS1	RCS1	RHS1	LHB1
RBB5	Remote Battery Back Up 16W (1600-2400 lumens) 120-277VAC with Internal Switch	●	●	●	●	●	●	●
RBB6	Remote Battery Back Up 16W (1600-2400 lumens) 347-480VAC with Internal Switch			●			●	●
RBB7	Remote Battery Back Up 16W (1600-2400 lumens) 120-277VAC with Remote Mount Switch	●	●	●	●	●	●	●
RBB8	Remote Battery Back Up 16W (1600-2400 lumens) 347-480VAC with Remote Mount Switch			●			●	●





GENERAL VIEW

TEST SWITCH WITH
BUILT IN LED INDICATOR
CHARGING - EVEN FLASH
CHARGED - ONE FLASH, LONG PAUSE
NO BATTERY - TWO FLASHES, LONG PAUSE
PUSH SWITCH TO TEST

Remote Mount Switch

