

LHB1 Series

Linear High Bay Series LED Luminaire

Product Description

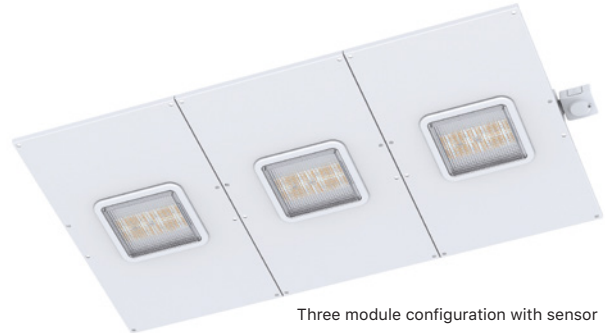
LHB1 Modular, Industrial Grade Linear High Bay Series is designed for professional grade applications and features a traditional linear layout with innovative advancements and state of the art high density LED technology. A precisely engineered synergy of passive cooling and active light creation for optimal performance with an industrial look.

Modules can be securely bolted together for an "industrially sturdy", high lumen integrated fixture. Because each module has a dedicated driver, there is system redundancy should one driver or module fail.

Applications: Large warehouse, hangers, large manufacturing and convention centers.

Product Performance

- Wattage: 195W per module
- Lumens: 24,000 per module
- Input Voltage: 120-277VAC, 277-480VAC available
- CCT: 3000K, 4000K or 5000K
- CRI: Minimum 70 CRI, 80 CRI available
- Dimming: Standard 0-10V
- IP65 rated light engine
- Suspended cable mount included
- Battery backup available in either integrated or remote configurations
- Optional occupancy sensor available
- UL1598 Compliant
- DesignLights Consortium® Qualified Product
- 5 year Warranty



Three module configuration with sensor



Single module configuration with sensor options



Three module configuration with sensor, uplight and battery backup options

Ordering Guide

Example: LHB1-DP24050K7-WH

LHB1-	XX	XX	XXK	XX	-XX
Product Series	Distribution	Lumen Output Type	CCT Code	Voltage	Fixture Color
LHB1	DP - Diffused Canopy	240 - 24,000 Lumens, 195W	30K8 - 3000K, 80 CRI 40K7 - 4000K, 70 CRI 50K7 - 5000K, 70 CRI	(Blank) - 120-277V UH - 277-480V	WH - White

Options

OCC - Occupancy Sensor

BB1¹ - Integral Battery Backup, 1200 Lumens, 90 Minutes Illumination

See [RBB 8W](#) or [RBB 16W](#) specs for Remote Battery Backup information¹

UC - Uplight Component

¹ Battery backup configurations will correspond to active mode fixture configuration outputs at 3000K, 4000K or 5000K. NOTE: battery backup output will correspond to active mode output CCT differences.



LHB1 Series

Product Specifications

Construction & Materials

- Powder Coated Aluminum Housing
- UV Stabilized Polycarbonate Lens
- Robust low profile design with active thermal management

Optical System

- DP Lens - Type V Low Glare Medium Canopy Lens

Electrical System

- Input Voltage: 120-277VAC
- Power Factor: > 0.9
- Total Harmonic Distortion: <20%
- Operating Temperature Range: -40°C to 60°C
- Standard Surge Suppression: 10Kv

Testing & Certifications

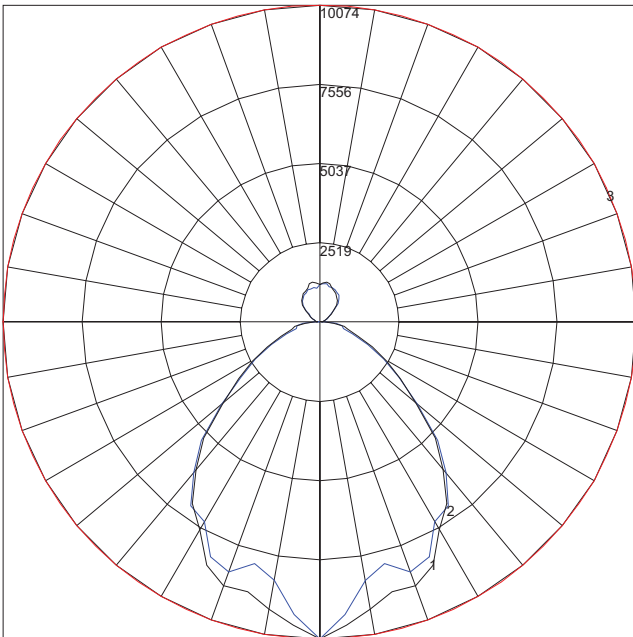
- UL1598, CSA STD.22.2 compliant
- Suitable for Wet Locations
- RoHS Compliant
- DesignLights Consortium® Qualified Product

Lumen Maintenance

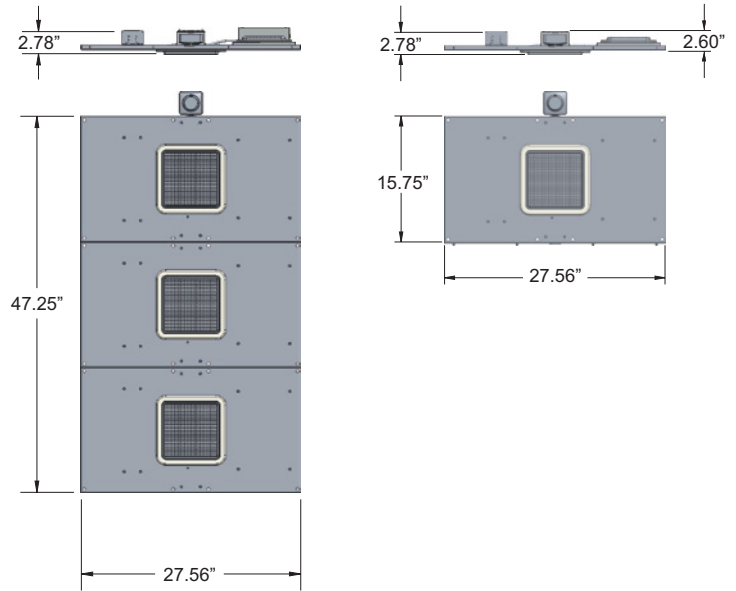
L70@ 25C >50,000 hours

Photometry

All published photometric testing data is performed to IESNA LM79-08 standards by a NVLAP accredited laboratory. To obtain an IES file specific to your project contact sales@eluminaire.com.



Maximum Candela = 10074 Located At Horizontal Angle = 0, Vertical Angle = 0
 # 1 - Vertical Plane Through Horizontal Angles (0 - 180) (Through Max. Cd.)
 # 2 - Vertical Plane Through Horizontal Angles (90 - 270)
 # 3 - Horizontal Cone Through Vertical Angle (0) (Through Max. Cd.)



Fixture Weight (Single Module): 9.4 lbs

eluminaire maintains a tolerance of +/- 7% on flux and power measurements. The information in this document is subject to change without notice.