

CGS2 Series

Low Glare, Low Profile Canopy

Product Description

The low profile design of the CGS2 Series Low Glare LED Canopy light is designed to exceed standards for all canopy applications with the lowest possible power consumption. The durable and robust design allows for universal surface or pendant mounting. Delivering between 4293 and 6330 lumens while only consuming between 34 and 53 watts, its the ideal low power garage light.

Applications: Canopy soffits, low-mid bay lighting, parking garages

Product Performance

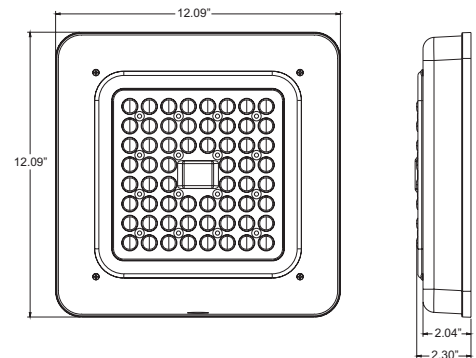
- Wattage Range: 34W-53W
- Input Voltage: 120-277V
- CCT: 4000K or 5000K, Amber available
- CRI: Minimum 70 CRI
- IP66 Rated Luminaire
- 3G Vibration Compliant when mounted to junction box
- UL1598 Compliant
- Available in 2 Optical Distributions
- Occupancy/Daylight Sensor Version Available
- 0-10V Dimmable Power Supply
- DesignLights Consortium® Qualified Product
- 5 year Warranty

Options

- Battery Backup - 90 minutes illumination, 1200 lumens

Accessories

- Torx Screws
- Bird Guard
- Diffuser
- Transition Plates



Fixture Weight: 5.28 lbs

Ordering Guide

Example: CGS2-G4550K-WH

Series	Distribution	Input Wattage ¹	CCT Code	Voltage	Sensor	Fixture Color
CGS2	G - Perf Garage	45 - 40W	40K - 4000K	(Blank) - 120-277V	HT1- Occupancy/Daylight Sensor	WH - White
	D - Diffused Canopy	60 - 60W	50K - 5000K			BZ - Bronze
						SV - Silver
AMKX - Amber, Special Order						

Accessory Guide (Field installed, order as separate line item)

Accessory Number	Description
TX01	Torx Screws
BG01	Bird Guard (Specify Color)
GS2-DFL	Diffuser
GP12-XX	12" Square Goof Plate (XX = WH - White, BZ - Bronze, SV - Silver)
GP16-XX	16" Square Goof Plate (XX = WH - White, BZ - Bronze, SV - Silver)

Options

- SP277 - 10Kv Surge Suppression
- BB1² - Integral Battery Backup, 1200 Lumens, 90 Minutes Illumination
- See [RBB 8W](#) or [RBB 16W](#) specs for Remote Battery Backup information²

¹ See photometry charts on page 2 for lumen output

² Battery backup configurations will correspond to active mode fixture configuration outputs at 3000K, 4000K or 5000K. NOTE: battery backup output will correspond to active mode output CCT differences.



CGS2 Series

Product Specifications

Construction & Materials

- Powder Coated Aluminum Housing
- UV Stabilized single PMMA Lens - Tamper resistant
- Robust low profile design with active thermal management
- Flush J-box mounting or Pendant mounting standard, Covered Canopy
- This fixture has 1 knock out

Optical System

- G Lens - Type V Wide Garage Lens
- D Lens - Type V Low Glare Medium Canopy Lens

Electrical System

- Input Voltage: 120-277VAC
- Power Factor: > 0.9
- Total Harmonic Distortion: <20%
- Operating Temperature Range: -40°C to 60°C

Testing & Certifications

- cETLus listed
- UL1598, CSA STD.22.2 compliant
- Suitable for Wet Locations Covered Canopy
- IP66 Rated Luminaire
- 3G Vibration Compliant when mounted to junction box
- Certified to ANSI C136.31-2001, 3G bridge and overpass vibration standards
- RoHS Compliant
- DesignLights Consortium® Qualified Product
- Can meet ARRA Buy America requirements as required

Lumen Maintenance

L70@ 25C >190,000 hours

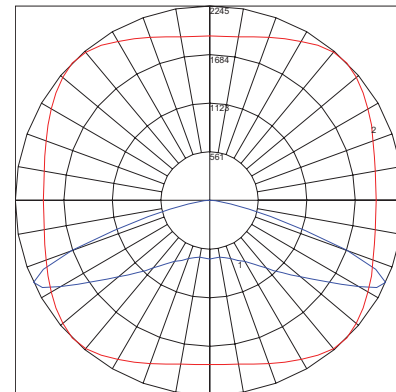
Photometry

All published photometric testing data is performed to IESNA LM79-08 standards by a NVLAP accredited laboratory. To obtain an IES file specific to your project contact sales@eluminaire.com.

CGS2-G (Performance Wide Garage Distribution)						
Output Type	4000K			5000K		
	Initial Delivered Lumens	Wattage	Lumens Per Watt	Initial Delivered Lumens	Wattage	Lumens Per Watt
45	4264	35	123	4272	35	119
60	6289	53	119	6272	53	118

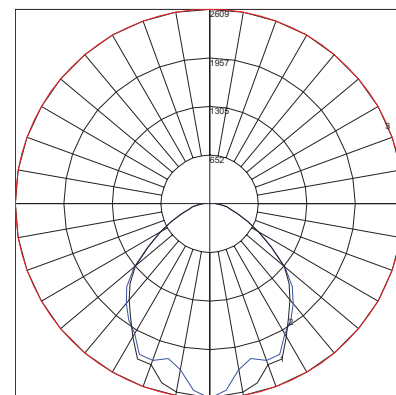
CGS2-D (Low Glare Canopy Distribution)						
Output Type	4000K			5000K		
	Initial Delivered Lumens	Wattage	Lumens Per Watt	Initial Delivered Lumens	Wattage	Lumens Per Watt
45	4444	34	130	4293	34	125
60	6587	52	126	6330	52	121

POLAR GRAPH - WIDE GARAGE DISTRIBUTION



Maximum Candela = 2245 Located At Horizontal Angle = 45, Vertical Angle = 65
 # 1 - Vertical Plane Through Horizontal Angles (45 - 225) (Through Max. Cd.)
 # 2 - Horizontal Cone Through Vertical Angle (65) (Through Max. Cd.)

POLAR GRAPH - LOW GLARE DIFFUSED DISTRIBUTION



Maximum Candela = 2609 Located At Horizontal Angle = 0, Vertical Angle = 0
 # 1 - Vertical Plane Through Horizontal Angles (0 - 180) (Through Max. Cd.)
 # 2 - Vertical Plane Through Horizontal Angles (90 - 270)
 # 3 - Horizontal Cone Through Vertical Angle (0) (Through Max. Cd.)

eluminaire maintains a tolerance of +/- 7% on flux and power measurements. The information in this document is subject to change without notice.