

## CGS1 Series

### Economy Series 1

#### Product Description

The low profile design of the CGS1 Series Low Glare LED Canopy light is designed to exceed standards for all canopy applications with the lowest possible power consumption. The new Low Glare design keeps light pleasant for pedestrians while maintaining great coverage. The durable and robust design allows for universal surface or pendant mounting. Delivering 2,936 to 6,828 lumens while only consuming 27-53 watts, it's the ideal low power, high efficiency - up to 131LPW, canopy light.

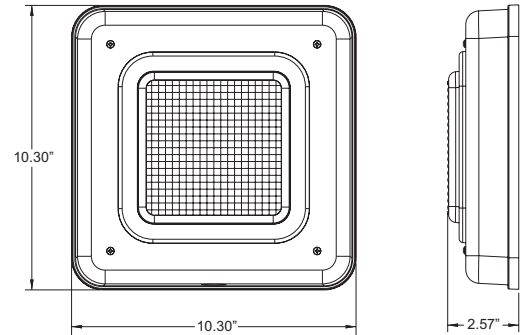
Applications: Canopy soffits, low-mid bay general lighting.

#### Product Performance

- Wattage Range: 27W-53W
- Input Voltage: 120-277V
- CCT: 3000K, 4000K or 5000K
- CRI: Minimum 70 CRI
- IP65 Rated
- 3G Vibration Compliant when mounted to junction box
- UL1598 Compliant
- 0-10V Dimmable Power Supply
- 5 year Warranty

#### Product Accessories

- Torx Screws



Fixture Weight: 4.0 lbs

#### Ordering Guide

Example: CGS1-DP6050K-WH

Series	Distribution	Lumen Output Type	CCT Code	Voltage	Fixture Color	Options
CGS1-	DP	30	XXK		-XX	
CGS1	DP - Diffused Canopy	30 - 3000 Lumens, 27W 40 - 5000 Lumens, 40W 60 - 6000 Lumens, 53W	30K - 3000K 40K - 4000K 50K - 5000K	(Blank) - 120-277V	WH - White BZ - Bronze SV - Silver	SP277 - 10Kv Surge Suppression

#### Accessories (Field installed, order as separate line item)

Accessory Number	Description
TX01	Torx Screws



## CGS1 Series

### Product Specifications

#### Construction & Materials

- Powder Coated Aluminum Housing
- UV Stabilized single PMMA Lens - Tamper resistant
- Robust low profile design with active thermal management
- Flush J-box mounting or Pendant mounting standard, Covered Canopy
- This fixture has 1 knock out

#### Optical System

- DP Lens - Type V Low Glare Medium Canopy Lens

#### Electrical System

- Input Voltage: 120-277VAC
- Power Factor: > 0.9
- Total Harmonic Distortion: <20%
- Operating Temperature Range: -40°C to 60°C

#### Testing & Certifications

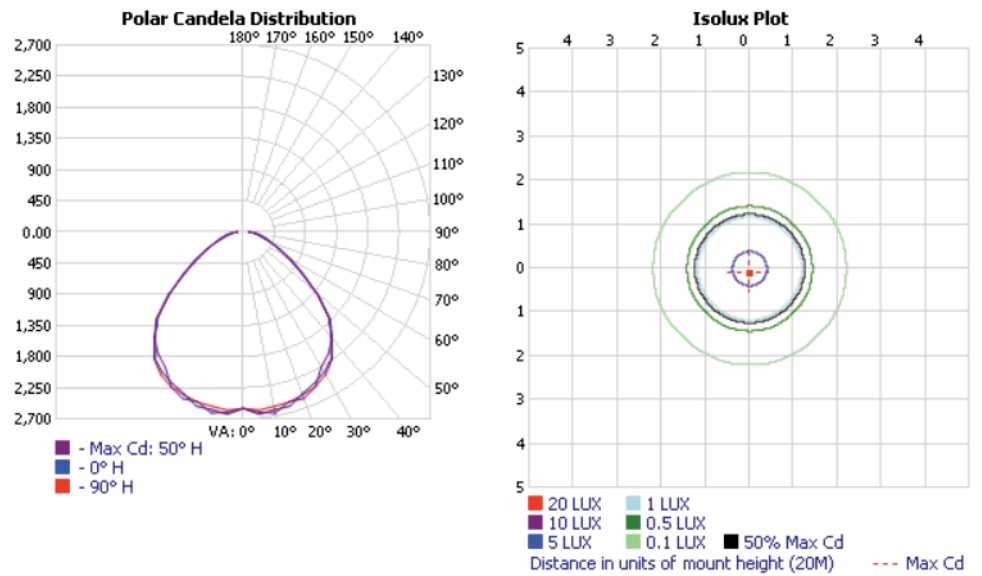
- cETLus Listed
- UL1598, CSA STD.22.2 compliant
- IP65 Rated
- 3G Vibration Compliant when mounted to junction box
- Certified to ANSI C136.31-2001, 3G bridge and overpass vibration standards
- RoHS Compliant
- Can meet ARRA Buy America requirements as required

#### Lumen Maintenance

L70@ 25C >190,000 hours

### Photometry

All published photometric testing data is performed to IESNA LM79-08 standards by a NVLAP accredited laboratory. To obtain an IES file specific to your project contact sales@eluminaire.com.



Output Type	3000K			4000K			5000K		
	Initial Delivered Lumens	Lumens Per Watt	BUG Ratings Per TM-15	Initial Delivered Lumens	Lumens Per Watt	BUG Ratings Per TM-15	Initial Delivered Lumens	Lumens Per Watt	BUG Ratings Per TM-15
30	2,936	109	B2,U2,G1	3,534	131	B2,U2,G1	3,534	131	B2,U2,G1
40*	4,360	109	B2,U2,G1	5,000	125	B2,U2,G1	5,018	125	B2,U2,G1
60*	5,777	109	B2,U2,G1	6,800	129	B2,U2,G1	6,828	129	B2,U2,G1

\* Approximate values for 40W 3000K and 60W 3000K. Not actual tested / listed values.

eluminaire maintains a tolerance of +/- 7% on flux and power measurements. The information in this document is subject to change without notice.