

CCS1 Series

Conduit Pass Thru Series 1

Product Description

The low profile design of the CCS1 Series LED Luminaire has a low profile form factor designed to allow for conduit entry after mounting. It can be surface and pendant mounted easily in a variety of applications. The CCS1 Series comes with three different optical configurations to chose from in order to optimize performance in the application: Performance Canopy, Performance Garage, and Diffused Canopy. Delivering between 2350 to 9000 lumens while only consuming 20 to 67 watts, it's the ideal canopy/garage luminaire.

Applications: Canopy soffits, Low-mid bay general lighting, parking garages

Product Performance

- Wattage Range: 20W-67W
- Input Voltage: 120-277V
- CCT: 4000K or 5000K, Amber available
- CRI: Minimum 70 CRI
- UL1598 Compliant
- Available in 3 Optical Distributions
- 10kV Surge Suppression available
- 0-10V Dimmable Power Supply
- 5 year Warranty

Accessories

- Torx Screws
- Bird Guard



Ordering Guide

Example: CCS1-G2550K-WH

CCS1-	XX	XX	XXK	XX	-XX
Product Series	Distribution	Lumen Output Type	CCT Code ¹	Voltage	Fixture Color
CCS1	G - Performance Garage P - Performance Canopy DP - Diffused Canopy	25 - 2500 Lumens, 20W 45 - 4500 Lumens, 36W 60 - 6000 Lumens, 50W 80 - 8000 Lumens, 67W	40K - 4000K 50K - 5000K AMKX - Amber, Special Order	(Blank) - 120-277V	WH - White BZ - Bronze SV - Silver

Options

BB1² - Integral Battery Backup, 1200 Lumens, 90 Minutes Illumination

See [RBB 8W](#) or [RBB 16W](#) specs for Remote Battery Backup information²

Accessory Guide (Field installed, order as separate line item)

Accessory Number*	Description
TX01	Torx Screws
BG01	Bird Guard (Specify Color)

¹ 3000K available upon request

² Battery backup configurations will correspond to active mode fixture configuration outputs at 3000K, 4000K or 5000K. NOTE: battery backup output will correspond to active mode output CCT differences.



CCS1 Series

Product Specifications

Construction & Materials

- Powder Coated Aluminum Housing
- UV Stabilized single PMMA Lens - Tamper resistant
- Robust low profile design with active thermal management
- Flush J-box mounting or Pendant mounting standard, Covered Canopy
- This fixture has 4 knock outs

Optical System

- DP Lens - Type V Low Glare Medium Canopy Lens
- P Lens - Type V Medium Canopy Lens
- G Lens - Type V Wide Garage Lens

Electrical System

- Input Voltage: 120-277VAC
- Power Factor: > 0.9
- Total Harmonic Distortion: <20%
- Operating Temperature Range: -40°C to 40°C

Testing & Certifications

- cETLus listed
- UL1598, CSA STD.22.2 compliant
- Suitable for Dry/Damp Locations Covered Canopy
- IP65 Rated Light Engine Compartment
- RoHS Compliant
- DesignLights Consortium® Qualified Product
- Can meet ARRA Buy America requirements as required

Lumen Maintenance

L90@ 25C >190,000 hours

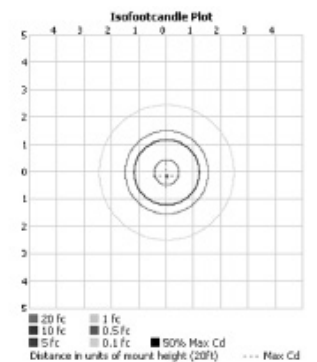
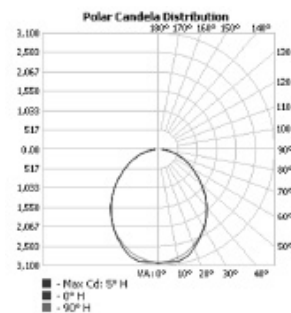
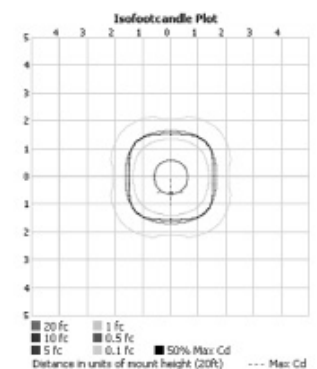
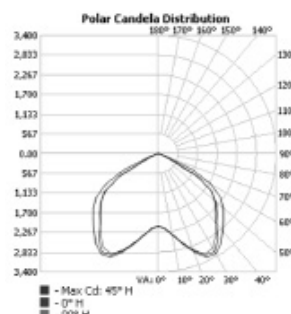
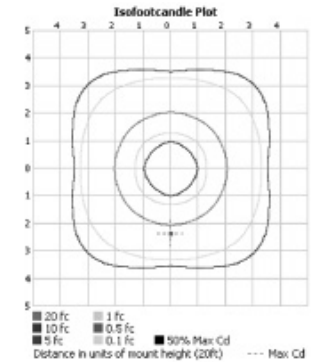
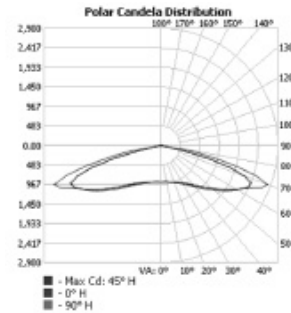
Photometry

All published photometric testing data is performed to IESNA LM79-08 standards by a NVLAP accredited laboratory. To obtain an IES file specific to your project contact sales@eluminaire.com.

Output Type	Performance Garage Distribution					
	4000K			5000K		
	Initial Delivered Lumens	Lumens Per Watt	BUG Ratings per TM-15	Initial Delivered Lumens	Lumens Per Watt	BUG Ratings per TM-15
25	2543	127.15	B2, U0, G1	2533	126.65	B2, U0, G1
45	4582	127.28	B3, U0, G1	4601	127.81	B3, U0, G1
60	6306	126.12	B3, U0, G1	6168	123.36	B3, U0, G2
80	8466	126.36	B3, U0, G2	8589	128.19	B3, U0, G2

Output Type	Performance Canopy Distribution					
	4000K			5000K		
	Initial Delivered Lumens	Lumens Per Watt	BUG Ratings per TM-15	Initial Delivered Lumens	Lumens Per Watt	BUG Ratings per TM-15
25	2670	133.50	B1, U0, G0	2670	133.50	B1, U0, G0
45	4815	133.75	B2, U0, G0	4839	134.42	B2, U0, G1
60	6586	131.72	B2, U0, G1	6472	129.44	B2, U0, G1
80	8940	133.43	B3, U0, G1	9016	134.57	B3, U0, G1

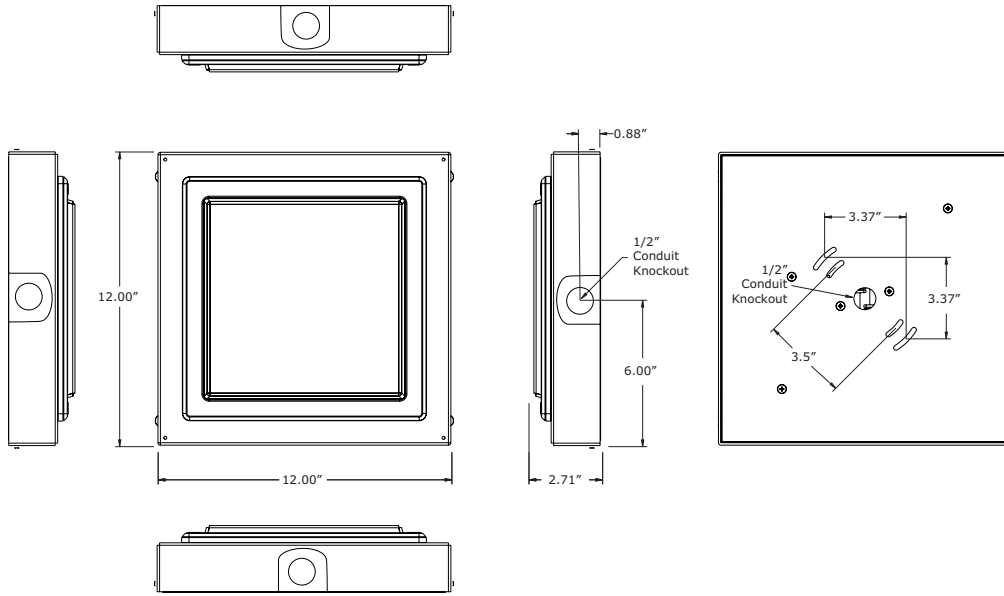
Output Type	Diffused Canopy Distribution					
	4000K			5000K		
	Initial Delivered Lumens	Lumens Per Watt	BUG Ratings per TM-15	Initial Delivered Lumens	Lumens Per Watt	BUG Ratings per TM-15
25	2352	117.60	B1, UX, G1	2350	117.50	B1, UX, G1
45	4227	117.42	B2, UX, G1	4282	118.94	B2, UX, G1
60	5702	114.04	B2, UX, G1	5590	111.80	B2, UX, G1
80	7829	116.85	B3, UX, G2	7887	117.72	B3, UX, G2



eluminaire maintains a tolerance of +/- 7% on flux and power measurements. The information in this document is subject to change without notice.

Technical Specifications

CCS1 Series



Fixture Weight: 7.5 to 8.0 lbs