

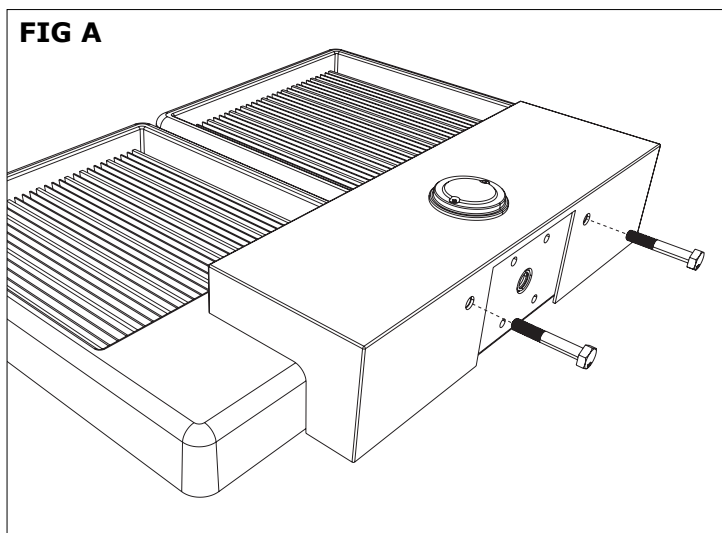
# Installation Guide - LED High Mast

Rev.

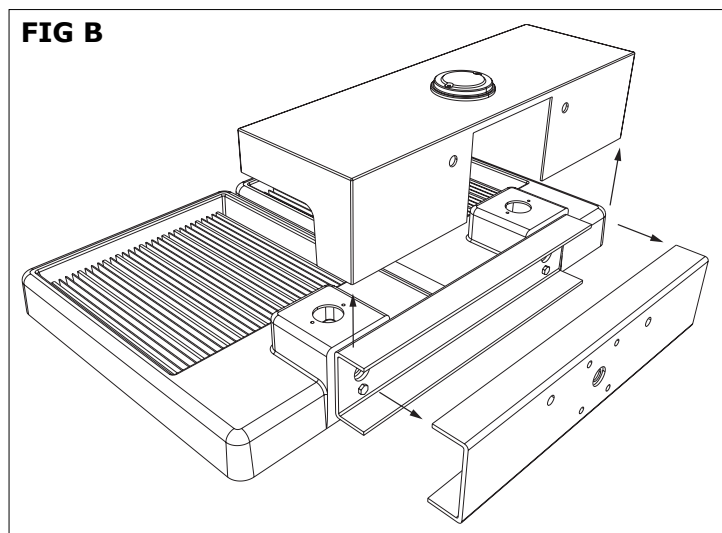
**WARNING:** Before proceeding, read all instructions carefully to ensure proper and safe installation.  
**WARNING:** Risk of fire or electrical shock.  
**WARNING:** Disconnect power before installing or servicing.  
**WARNING:** All wiring to be performed per National Electrical Code and local code by a qualified electrician.

## High Mast Mounting

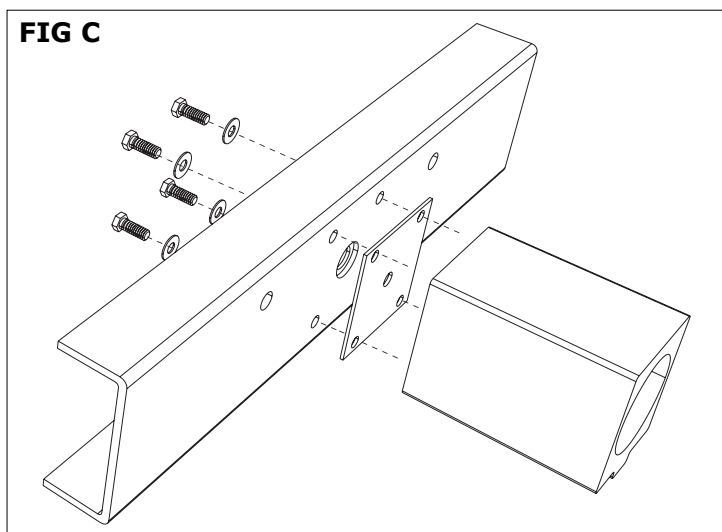
1. Remove two bolts from rear of fixture. (Fig. A)



2. Remove top cover and c-channel bracket from rear of fixture. (FIG B)



3. Connect line, neutral and ground from each fixture to single line, neutral and ground wire (provided by installer).  
4. Secure the round mast mount to the c-channel bracket by screwing the four 8mm bolts and lock washers supplied through the fixture and into the threaded holes in the mount. Ensure that foam side of washer is facing toward mast arm. Tighten bolts to 175 in-lbs (20 Nm). (Fig. C)



5. Run single line, neutral and ground wires through c-channel bracket and round mast mount.  
6. Replace top cover and c-channel bracket/mast mount assembly to fixtures and secure bolts.  
**NOTE: Be sure c-channel bracket and top cover fit properly and that no wiring interferes with assembly.** (FIG D)  
7. Slide round mast mount over 2 3/8" (60 mm) o.d. tenon or heavy walled pipe and secure with set screws.

