



ALS1

LED AREA LUMINAIRE



## EASY INSTALLATION

Driver compartment door features safety cables and optional tool-less entry, allows quick access for installation and maintenance.



## ADAPTABLE MOUNTING

Available mounting options include extension kits for round or square poles plus slipfitter, wall mount, trunion and mast mount kits.

## MULTIPLE LUMEN PACKAGES

LED configurations available in 14,000, 21,000 and 30,500 lumens. Color temperatures available in industry standards.

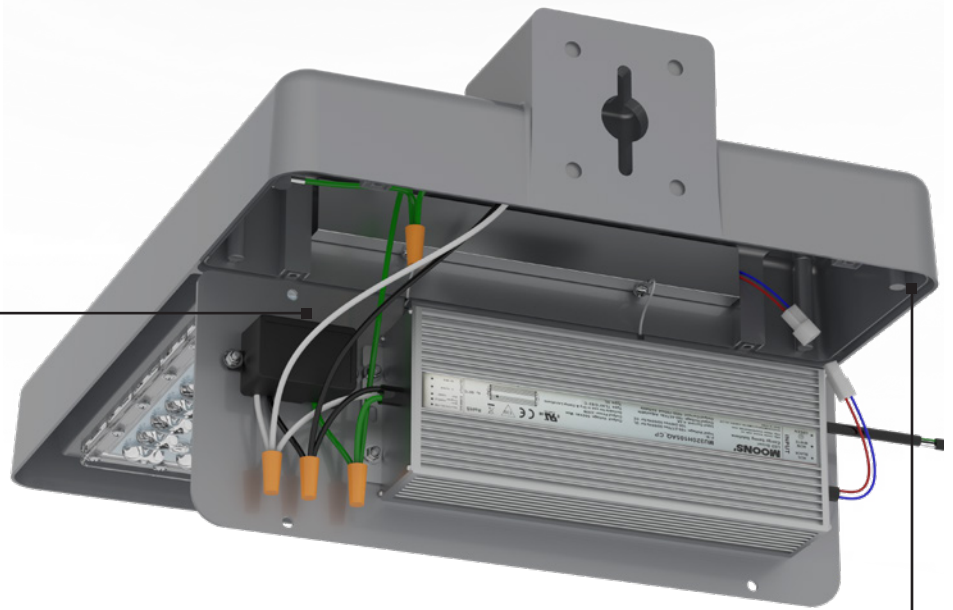
## VERSATILE OPTICS

Multiple optics available for precise control in any application. Optional house side shield prevents glare and light trespass.



### EASY MAINTENANCE

0-10V Dimmable drivers and surge protection are mounted on a replaceable door with quick connects for rapid replacement.



### SUPERIOR DESIGN

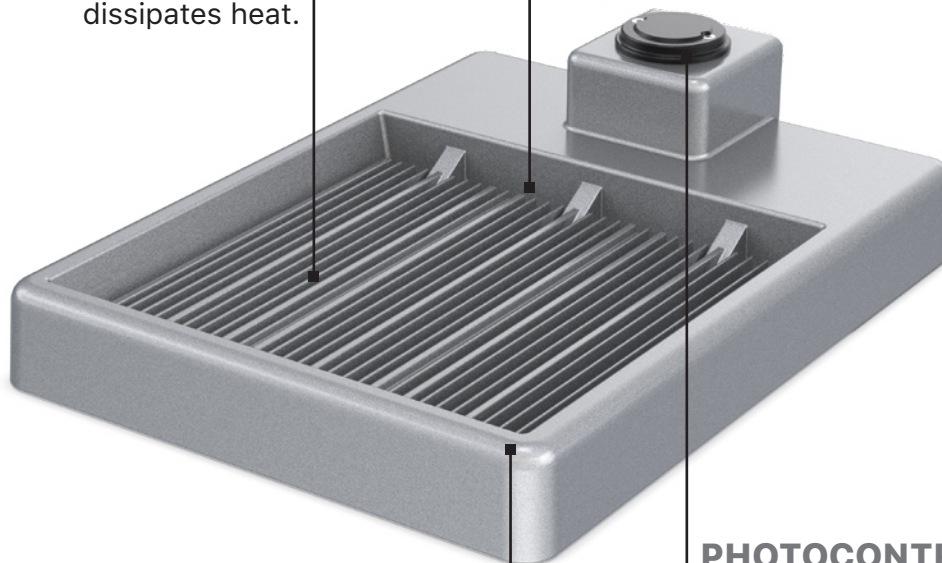
Gap isolation between the driver and light engine allows for debris to be washed away

### ALL-WEATHER PROTECTION

Durable IP66 rated housing with formed-in-place gaskets offer years of trouble-free operation.

### THERMAL MANAGEMENT

Driver is isolated from the light engine and the vented design dissipates heat.



### PHOTOCONTROL READY

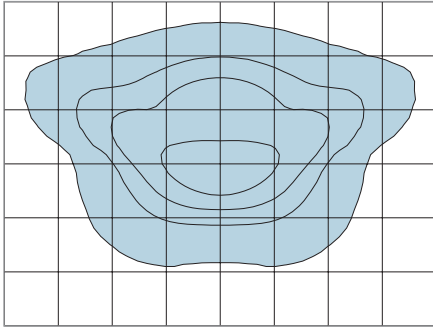
Receptacle for Twist Lock photocontrol or wireless control modules (sold separately).

### LOW PROFILE ARCHITECTURAL SHOEBOX

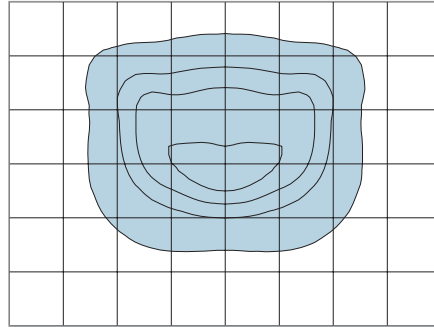
Constructed of rugged die-cast aluminum with corrosion-resistant power coated finish. Marine Grade anodized finish available.

# Available Optics.

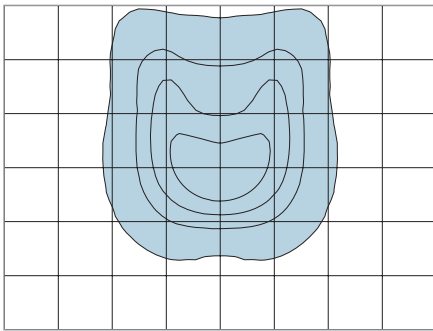
Precision optics available in Type II, III, IV, V Round and V Square distributions. Optional house side shield (HSS), offers even more control for any distribution package.



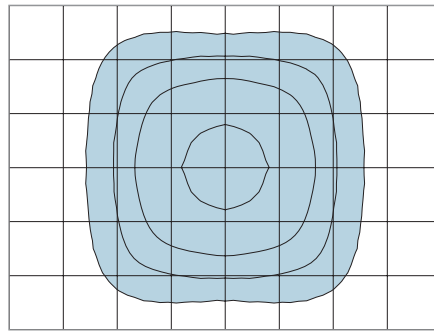
2MR - Type 2



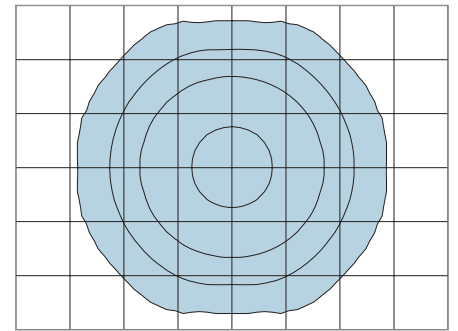
3MR - Type 3



4MR - Type 4



5MQ - Type 5, Square



5WR - Type 5, Round



# Sample Layout.

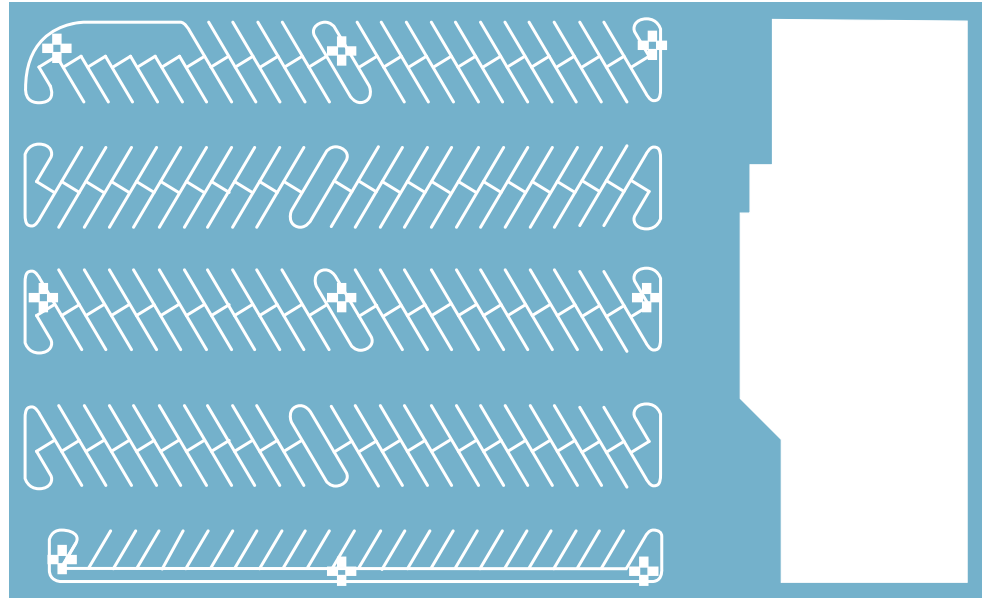
eLuminaire lumen and optic packages are designed to offer bright, even illumination. Combined with a wide variety of optic distributions and multiple mounting options, the ALS1 is the perfect fixture for any area lighting application.

## Fixture

Fixture used is an eLuminaire ALS1-5MQ30050K7-UH featuring a Type 5, square distribution, 300 watts and 5000K CCT with a CRI of 70.

## Pole Placement

Four fixtures mounted at 90° on each pole with no tilt. Poles are 45' in height, and are spaced approximately 140' apart (slight variation in mounting distances due to existing pole locations).



## Calculations

LLF	AVG	MIN	MAX	AVG/MIN	MAX/MIN
0.95	5.29	3.3	8.6	1.60	2.61



# Ordering Information.

Example: ALS1-5MQ30030K8-WH-HSS

Series	Distribution	Target Lumens	CCT Code	Voltage	Color	Options (Factory Installed)
ALS1	2MR - Type 2	120 - 14,000 lumens, 104W	30K8 - 3000K, 80 CRI	(BLANK) - 120-277V	WH - White	HSS - House Side Shield
	3MR - Type 3	240 - 21,000 lumens, 158W	40K7 - 4000K, 70 CRI	UH - HTRD 277-480V	SV - Silver	SS - SimplySNAP On-Site Controller
	4MR - Type 4	300 - 30,500 lumens, 238W	40K8 - 4000K, 80CRI		BL - Black	GS2 - Glare Shield
	5MQ - Type 5, Square		50K7 - 5000K, 70CRI		BZ - Bronze	UMP - Universal Mounting Plate
	5WR - Type 5, Round		50K8 - 5000K, 80CRI			AN - Marine Grade Anodized Finish with 316 Stainless Steel Fasteners
			AMKX - Amber, Special Order			
			Other CCTs - Special Order			

## Available Accessories.

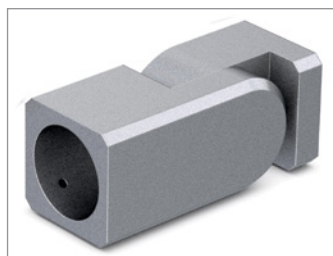
With multiple mounting accessories, the ALS1 has the versatility to adapt to any installation. Accessories are available to meet a wide variety of pole types and trunnion, slipfitter and wall mount adapters make the ALS1 ideal for area or flood mount applications.



HSS  
House Side Shield



GS2  
Glare Shield



ALS-SF01XX  
Slipfitter Mount



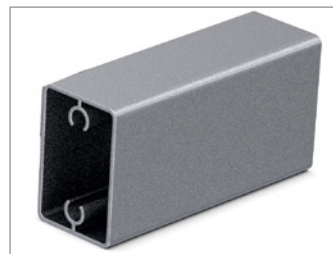
ALS-TK01XX  
Trunnion Mount



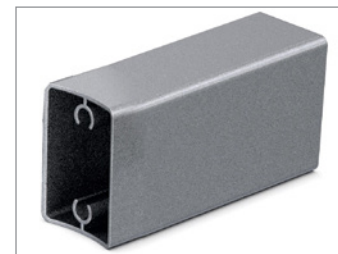
ALS-WM01XX  
Wall Mount



ALS-RM01XX  
Round Mast Mount



ALS-AE06FXX  
6" Extension Kit for Flat Poles



ALS-AE06R4XX  
6" Extension Kit for  
4", 5" or 6" Round Poles

## Wildlife Friendly Illumination.

Florida Wildlife Commission (FWC) Approved Amber LED Area Luminaire

The ALS1 Amber luminaire is recommended (by FWC) for use in areas where artificial lighting is needed adjacent to ecologically sensitive areas; sea turtle nesting beaches, migratory corridors, and Dark Sky friendly communities.

The ALS1 with Amber LEDs and Glare Shield option has been tested and certified by the FWC as turtle friendly.



Shown with GS2 Glare Shield Option