

DAYTONA

READ AND FOLLOW ALL INSTRUCTIONS CAREFULLY TO ENSURE PROPER AND SAFE INSTALLATION

WARNING: Risk of fire or electrical shock.

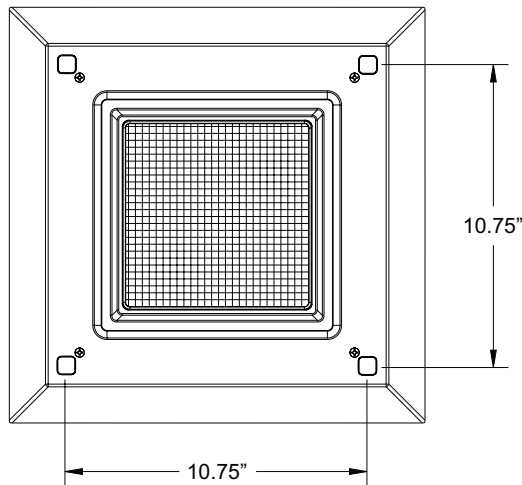
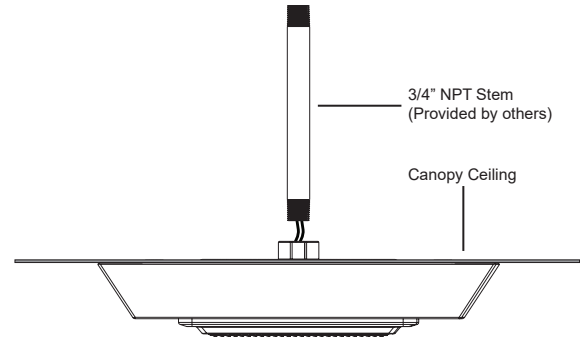
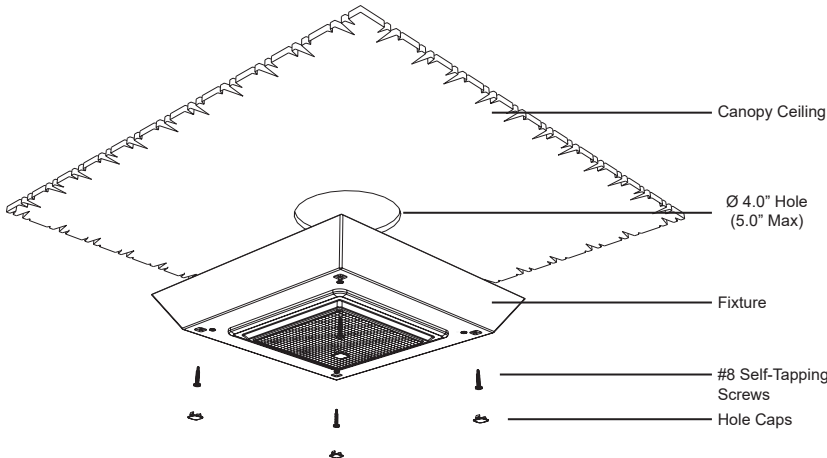
WARNING: Disconnect power before installing or servicing.

WARNING: All wiring to be performed per National Electrical Code and local code by a qualified electrician.

Outdoor use only.

Suitable for Wet Location covered canopy.

Non-combustable surfaces only.



Fixture Mounting

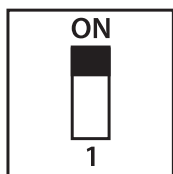
Note: Input wires are fed through threaded hub on top of fixture and held in place with a compression gasket to prevent water ingress. It is not necessary to disassemble fixture to install.

1. Use existing hole or cut 4" diameter hole (5" max) in canopy ceiling.
2. Hold fixture in place and secure from the below the canopy ceiling using (4) #8 stainless steel sheet metal screws.
3. Snap caps into holes to cover screw heads.
4. From above the canopy, feed leads from fixture through 3/4" NPT stem (supplied by customer). Screw NPT stem into threaded fixture hub. Use teflon tape to seal pipe connection.
5. Attach customer supplied junction box to the other end of the NPT stem and make wiring connections in junction box. (See Fixture Wiring section)
6. Apply sealant around stem and hub for a complete seal.

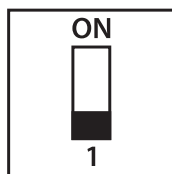
DIP Switch Settings

Adjust lumen output by changing settings on DIP switch.

DIP SWITCH SETTINGS



12000 Lumens



17000 Lumens

Fixture Wiring

1. Connect supply wires to fixture using appropriate wire nuts.
 - 1.2. Connect ground wires to fixture ground (green).
 - 1.3. Connect AC common wire to fixture common (white).
 - 1.4. Connect AC line wire to fixture(s) common (black).