

Adapter Plates

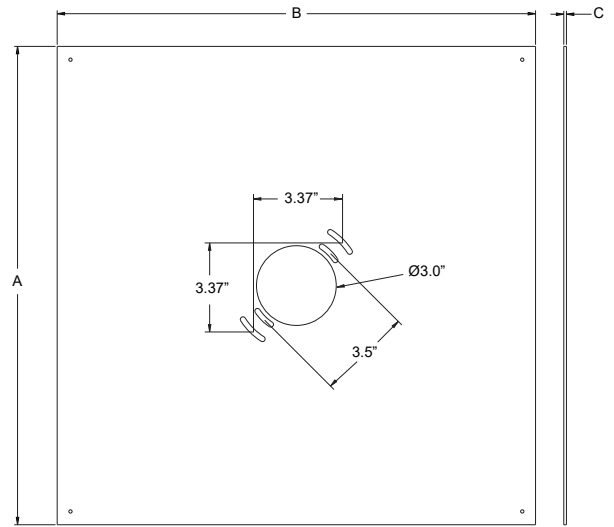
Easily adapt eLuminaire canopies to fit any application. Offered in many standard sizes with custom sizes, dimensions and colors available.

Product Characteristics

- 0.10" standard thickness
- Custom thickness available
- Standard color: White, custom colors available
- Standard squares; 12", 16", 18", 24" (available as Quick Ship items)
- Custom Sizes & dimensions available; square, rectangle, round, oval and more (consult factory)
- Thermal Requirements;
 - 144 to 225 sq in (Max 50W)
 - 225 to 784 sq in (Max 72W)

Part Number	A	B	C
AP125125*	12.5"	12.5"	0.1"
AP1616*	16.0"	16.0"	0.1"
AP1818*	18.0"	18.0"	0.1"
AP2424*	24.0"	24.0"	0.1"

* Available as Quick Ship item (white finish only)

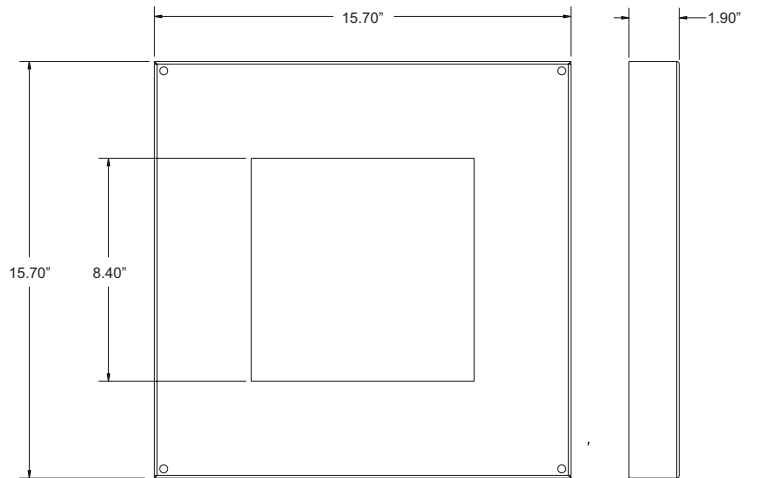
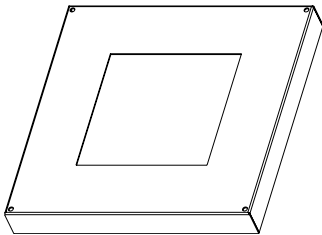


Recessed to Surface Conversion Plate

Convert existing recessed canopies to surface mount applications.

Part Number	
RCS16-XX*	16" Square Surface Mount Conversion Box (XX = WH - White, BZ - Bronze, SV - Silver)

* Available as Quick Ship item (white finish only)



Rapid Custom Engineered Solutions

Custom adapter kits available for unique solutions. Our in-house team of designers and engineers can take the pain out of complicated mounting situations.

